

# ADAM-6060

# ADAM-6066

## 6-ch Digital Input and 6-ch Relay Modbus TCP Module

## 6-ch Digital Input and 6-ch Power Relay Modbus TCP Module


**ADAM-6060**
**ADAM-6066**


## Specifications

### General

- **LAN** 10/100Base-T(X)
- **Power Consumption** 2 W @ 24 V<sub>DC</sub> (ADAM-6060)  
2.5 W @ 24 V<sub>DC</sub> (ADAM-6066)
- **Connectors** 1 x RJ-45 (LAN), Plug-in screw terminal block (I/O and power)
- **Watchdog Timer** System (1.6 second) and Communication (programmable)
- **Power Input** 10 ~ 30 V<sub>DC</sub>
- **Supports Peer-to-Peer**
- **Supports GCL**
- **Supports Modbus/TCP, TCP/IP, UDP, DHCP, SNMP, HTTP and MQTT Protocol**

### Digital Input

- **Channels** 6
- **Dry Contact** Logic level 0: close to GND  
Logic level 1: open
- **Wet Contact** Logic level 0: 3 V<sub>DC</sub>  
Logic level 1: 10 ~ 30 V<sub>DC</sub>
- **Supports 3 kHz Counter Input (32-bit + 1-bit overflow)**
- **Keep/Discard Counter Value when Power-off**
- **Supports 3 kHz Frequency Input**
- **Supports Inverted DI Status**

### Relay Output (Form A)

- **Channels** 6
- **Contact Rating (Resistive)** ADAM-6060: 120 V<sub>AC</sub> @ 0.5 A  
30 V<sub>DC</sub> @ 1 A  
ADAM-6066: 250 V<sub>AC</sub> @ 5 A  
30 V<sub>DC</sub> @ 3 A
- **Breakdown Voltage** 500 V<sub>AC</sub> (50/60 Hz)
- **Relay On Time** 7 ms
- **Relay Off Time** 3 ms
- **Total Switching Time** 10 ms
- **Insulation Resistance** 1 GΩ min. at 500 V<sub>DC</sub>
- **Maximum Switching Rate (at rated load)** 20 operations/minute
- **Supports Pulse Output**

### Protection

- **Isolation Voltage** 2,000 V<sub>DC</sub>
- **Power Reversal Protection**

### Environment

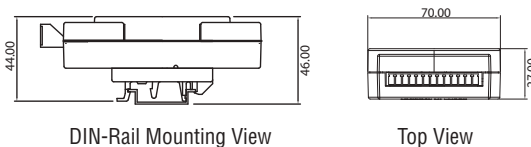
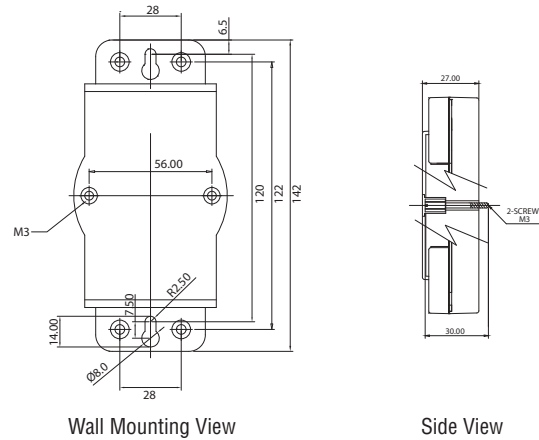
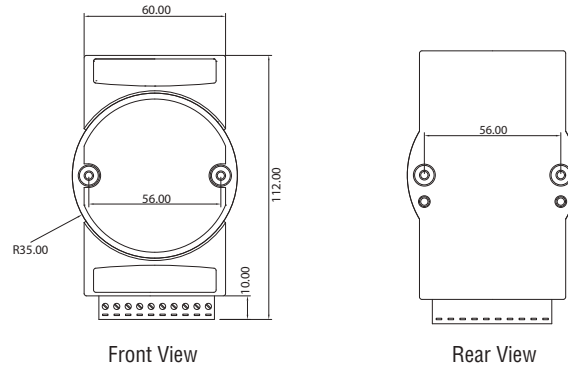
- **Operating Temperature** -10 ~ 70°C (14 ~ 158°F)  
-40 ~ 70°C (-40~158°F) for D version
- **Storage Temperature** -20 ~ 80°C (-4 ~ 176°F)  
-40 ~ 80°C (-40~176°F) for D version
- **Operating Humidity** 20 ~ 95% RH (non-condensing)
- **Storage Humidity** 0 ~ 95% RH (non-condensing)

## Ordering Information

- **ADAM-6060** 6-ch DI and 6-ch Relay Modbus TCP Module
- **ADAM-6066** 6-ch DI and 6-ch Power Relay Modbus TCP Module

## ADAM-6000 Series Dimensions

Unit: mm



## ADAM-6000 Series Common Specifications

### General

- **Dimensions (W x H x D)** 70 x 120 x 30 mm
- **Enclosure** ABS+PC
- **Mounting** DIN 35 rail, stack, wall

Vertrieb durch


**AMC – Analytik & Messtechnik GmbH Chemnitz**

 Heinrich-Lorenz-Str. 55 Tel.: +49/371/38388-0  
 Q9120 Chemnitz Fax: +49/371/38388-99  
 E-Mail: info@amc-systeme.de Web: www.amc-systeme.de