

AiMC-2000

Front Access Fan-less Micro Computer,
Intel® Celeron® J1900 SoC with
VGA/HDMI, 6 COMs, 8 USBs



Features

- Intel® Baytrail Platform
 - Intel® Celeron® J1900 SoC
 - Fanless Design
- Compact & Rich I/O Configuration
 - One internal 2.5" SATA HDD bay & one mSATA slot for storage
 - VGA , HDMI, 2 GbE LAN, 7 USB 2.0, 1 USB 3.0, 5 RS-232, 1 RS-232/422/485
 - One mini PCIe expansion to support full size module
 - Line in , Line out with 6W amplifier
- Energy Savings
 - DC 12V power input

Vertrieb durch



AMC – Analytik & Messtechnik GmbH Chemnitz

Heinrich-Lorenz-Str. 55 Tel.: +49/371/38388-0
09120 Chemnitz Fax: +49/371/38388-99
E-Mail: info@amc-systeme.de Web: www.amc-systeme.de



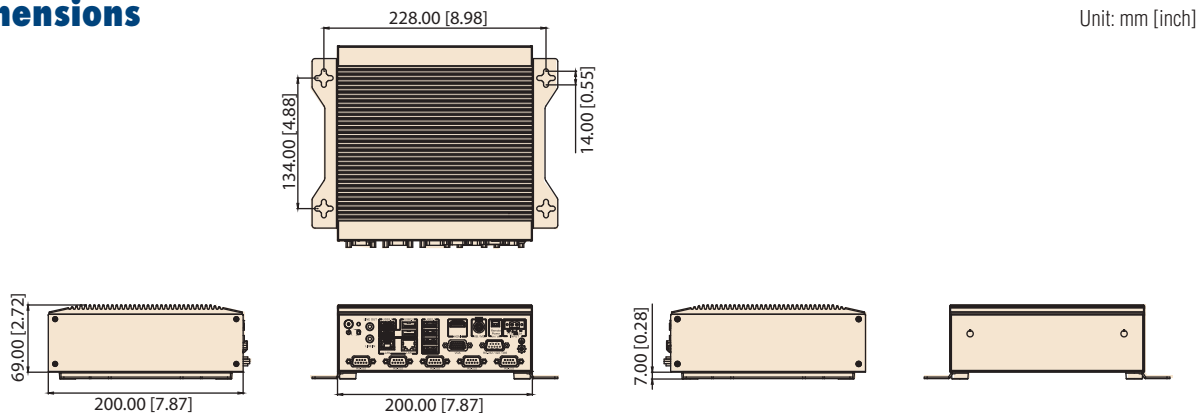
Specifications

Processor System	CPU	Intel J1900	
	Core	4	
	Base Frequency	2.0 GHz	
	L2 Cache	2 MB	
Memory	BIOS	AMI 64Mb SPI Flash	
	Technology	Dual Channel DDR3L 1333/1066 MHz (Non ECC)	
	Max. Capacity	8GB / 4GB	
Graphics	Socket	204-pin SO-DIMM 2 / 1	
	Chipset Integrated	Integrated Intel HD Graphics	
Expansion slot	mini PCIe	1, full size	
Ethernet	Interface	10/100/1000 Mbps	
	Controller	2 x Realtek 8111E	
Drive bay	2.5" HDD (internal)	1	
	mSATA	1	
I/O Interface	Display	VGA , HDMI	
	USB	7 USB 2.0, 1 USB 3.0	
	Serial	1 RS-232/422/485, 5 RS-232	
	PS/2	1, KB/MS	
	Audio	Line in, Line out with 6W amplifier	
	DC jack	1, Phoenix 2 pin	
Power Supply	Connector Type	Phoenix 2 pin connector	
	Input Voltage	DC 12V	
	Power consumption	Typical: 8.27W Max: 16.39W	
Miscellaneous	LED Indicators	HDD	
	Control	Power on/off switch	
Environment	Temperature	Operating	Non-operating
		-20 ~ 60° C (mSATA); 0 ~ 40° C (HDD)	-40 ~ 85° C
	Humidity	95% @ 40° C, non-condensing	95% @ 60° C, non-condensing
	Vibration	1Grms, random, 5~500Hz, 3 axes, 1 hr/axis (HDD)	2G, sine, 5~500Hz, 3 axes, 1 hr/axis (HDD)
		3Grms, random, 5~500Hz, 3 axes, 1hr/axis (mSATA)	
	Shock	10G, half sine wave, 11 ms duration (HDD)	
		30G, half-sine wave, 11ms duration (mSATA)	
EMC	CE/FCC, CCC, BSMI		
Safety	CCC, UL, BSMI		
Physical Characteristics	Dimension (W x H x D)	200 x 69 x 200 mm	
	Weight	1.8 kg (3.97 lbs)	

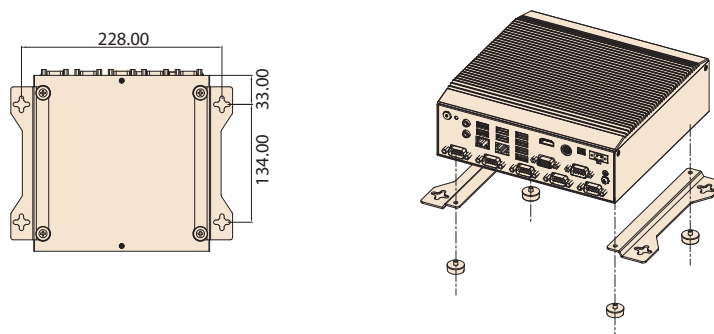


ADVANTECH iAutomation
Premier Partner

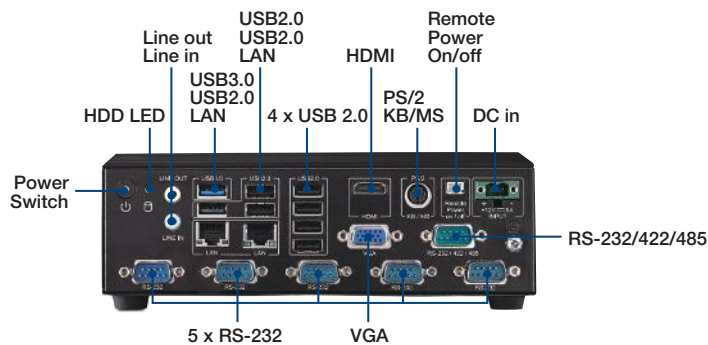
Dimensions



Installation



Front View



Ordering Information

Part No.	CPU	VGA	HDMI	SO-DIMM	USB 3.0/2.0	GbE	COM	Mini PCIe
AiMC-2000J-HDA1E	J1900	1	1	2	1/7	2	1 x RS-232/422/485 5 x RS-232	1 x full size

Optional Accessories

Part Number	Description
96PSA-A60W12P2-1	60W Adaptor

Embedded OS

Part Number	Description
2070014040	WES7P x64 10MU1
2070014102	WES7P x86 10MU1