

ARK-3531

Intel® 9th Gen / Core™ i3/i5/i7/i9 LGA1151 Fanless Box PC

NEW



Features

- Supports Intel® 9th Gen Core™ i3/i5/i7/i9 35W processor
- Dual display: VGA + HDMI
- DDR4 SO-DIMM memory support up to 64 GB
- 9-36V wide range power input
- Versatile I/Os including 2 x USB 3.1, 6 x USB 3.0 and 8 x COM ports
- Support 2 internal 2.5" Hard Drive bays (Intel SW RAID 0/1)
- SUSI API, WISE-DeviceOn, McAfee, Acronis bundled
- IP40 rating

Vertrieb durch



AMC – Analytik & Messtechnik GmbH Chemnitz

Heinrich-Lorenz-Str. 55 Tel.: +49/371/38388-0
09120 Chemnitz Fax: +49/371/38388-99
E-Mail: info@amc-systeme.de Web: www.amc-systeme.de



WISE-DeviceOn SUSI API



Specifications

	CPU	i9-9900T	i7-9700TE	i5-9500TE	i3-9100TE	G4900T	
Processor System	Frequency	2.1GHz-4.4GHz	1.8GHz-3.8GHz	2.2GHz-3.6GHz	2.2GHz-3.2GHz	2.9GHz	
	L3 Cache	16MB	12MB	9MB	6MB	2MB	
	Core	8	8	6	4	2	
	TDP	35W					
	Chipset	H370 (Q370 support by TPN)					
	BIOS	AMI EFI 128Mbit					
Memory	Technology	DDR4 2666 MHz					
	Max. Capacity	64 GB					
	Socket	2 x 260-pin SO-DIMM					
Graphics	Chipset	Intel® UHD Graphics 630					
	Graphic Engine	Direct x 12, OpenGL 4.4 HW Encode: H.265/HEVC, H.264/MPEG-4 AVC, MPEG-2, JPEG/MJPEG and VP8. HW Decode: H.265/HEVC, H.264/MPEG-4 AVC, MPEG-2, VC-1/WMV9, JPEG/MJPEG, VP8 and VP9					
	VGA	2048x1280@ 60Hz					
	HDMI	1 HDMI port, HDMI 1.4 for HD video playback, 3840x2160@30Hz					
	Flexible Display (by TPN project)	HDMI+HDMI, VGA+DP, HDMI+DP					
Ethernet	LAN1	10/100/1000 Mbps Intel I219-LM GbE, support Wake On Lan					
	LAN2	10/100/1000 Mbps Intel I210GbE, support wake on lan					
	LAN3/LAN4 (by TPN project)	10/100/1000 Mbps Intel I210GbE, support wake on lan					
Audio	Interface	Realtek ALC888S, High Definition Audio, Line-out/Mic-in (switch)					
Others	Watch dog Timer	255-level timer interval, setup by software					
	TPM	Onboard TPM 2.0					
I/O Interface	Serial Port	4 x RS-232, 4 x RS-232/422/485 port with auto flow control; COM 1 support 5V/12V power supply (by jumper)					
	USB	2 x USB 3.1 Gen2 (5V/1.8A), 6 x USB 3.0 (5V/0.9A)					
	GPIO	16bit DIO					
Expansions	Mini PCIe	1 x Full-size MiniPCIe (support mSATA, support SIM holder, Optional AMO-I026 to supports m.2 B+M key 2280)					
	M.2	1 x E key 2230 for WiFi					
Storage	HDD	2 x 2.5" SATAIII HDD Bay with Max Height 9.5mm (Supports Intel SW RAID 0/1)					
	mSATA	1 x mSATA socket (Share with Mini PCIe)					
Software Support	Microsoft Windows	Windows 10					
	Linux	By Project Support					
Power Requirements	Power Type	AT/ATX					
	Power Input Voltage	9-36V					
	Power Adapter	AC to DC, 150W (Optional)					
Power Consumption (CPU/Memory Only)	Typical	16.8W					
	Max.	34.8W					
Mechanical	Construction	Aluminum housing					
	Mounting	Desk mounting					
	Dimensions (W x H x D)	200 x 75 x 215 mm					
	Weight	3.2Kg					
Environment	Operating Temperature	35W Processor with extended temp peripherals: -20 ~ 60° C with 0.7m/s air flow					
	Storage Temperature	-40 ~ 85° C					
	Relative Humidity	95% @ 40° C (non-condensing)					
	Vibration During Operation	With SSD: 3 Grms, IEC 60068-2-64, random, 5 ~ 500 Hz, 1 hr/axis.					
	Shock During Operation	With SSD: 30 G, IEC 60068-2-27, half sine, 11 ms duration					
	EMC	CE/FCC Class B, CCC, BSMI					
Safety	CB(62368), UL(62368), CCC, BSMI						



ADVANTECH iAutomation
Premier Partner

Vertrieb durch



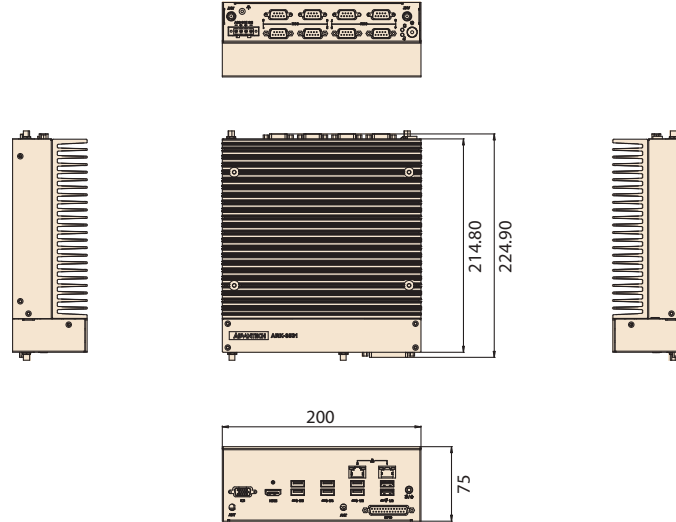
AMC – Analytik & Messtechnik GmbH Chemnitz

Heinrich-Lorenz-Str. 55 Tel.: +49/371/38388-0
 09120 Chemnitz Fax: +49/371/38388-99
 E-Mail: info@amc-systeme.de Web: www.amc-systeme.de

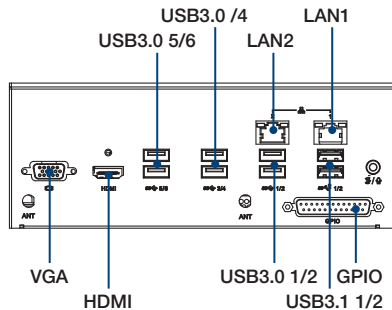
ARK-3531

Dimensions

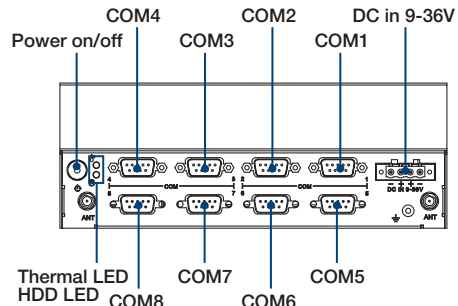
Unit: mm



Front Panel External I/O Mechanical Layout/Drawing



Rear Panel External I/O Mechanical Layout/Drawing



Ordering Information

Part No.	CPU	DDR4	GbE	VGA	HDMI	RS-232	RS-232/422/485	USB 3.1	USB 3.0	MiniPCIe	SIM	M.2 E key	DC Input
ARK-3531-00A1	LGA1151 Socket Type	Up to 64GB	2	1	1	4	4	2	6	1	1	1	9-36V

Note: CPU/Memory/Storage and operating system bundled by request.

Packing List

Part Number	Description
ARK-3531-00A1	ARK-3531 Unit
2006K35310	User Manual (Simplified Chinese)
202KAKMC00	China RoHS
1960093556N001	Wall mount kit
36WSWPD0BUND11	WISE-DeviceOn
36WSWPD0BD0211	McAfee Application Control Lite/Acronis Backup 11.7 for Windows PC

ARK-3531 Option Items

Part Number	Description
96PSA-A150W19P4-3	AC-to-DC Adapter, DC19V 150W, 0 ~ 40° C
96PSA-A230W24P4-3	AC to DC adapter, DC 24V 230W, -20 ~ 60° C
1702002600	Power cable 3-pin 183cm, USA type
1702002605	Power cable 3-pin 183cm, EU type
1702031801	Power cable 3-pin 183cm, UK type

ARK-3531 Optional Expansion kit

Part Number	Description
AMO-I026A	Expansion M.2 B key 2280 kit for USB module
AMO-I026B	Expansion M.2 B Key 2280 kit for PCIe/SATA module
AMO-I026C	Expansion M.2 M Key 2280 kit for PCIe/SATA module

Embedded OS

Part Number	Description
20706WX9HS0090	WIN10 IOT 1809 64bit for i7/i9
20706WX9VS0094	WIN10 IOT 1809 64bit for Celeron/Pentium/i3/i5

Irrtum und Änderungen vorbehalten – auch ohne vorherige Ankündigung. Verwendete Hardware- und Softwarebezeichnungen, Marken sowie Firmennamen können eingetragene Warenzeichen sein und unterliegen somit den gesetzlichen Bestimmungen. / Information in this document is subject to change without prior notice. The software and hardware designations or brand names used in this text are in most cases trademarks or registered trademarks of their respective companies and are thus subject to law.