

FPM-212 FPM-215 FPM-217

12" XGA/15" XGA/17" SXGA Industrial Monitors with Resistive Touch Control, Direct HDMI, DP, and VGA Ports



Features

- 12" XGA/17" SXGA TFT LED LCD with 50,000 backlight lifetime
- 15" XGA TFT LED LCD with 70,000 backlight lifetime
- Direct HDMI, DP and VGA input interfaces
- Anti-glare screen with tempered glass
- Robust system with Die-casting aluminum chassis and IP66-rated aluminum alloy front bezel
- Lockable I/O connectors
- Slim design enables easy installation
- Supports various mount options: panel, desktop, and VESA arm

Introduction

In IIoT and Industry 4.0, more and more customers need data to be visualized to help process management and decision making. The FPM-200 series is an industrial-grade monitor with sleek, simple lines and a true-flat touchscreen. Equipped with durable resistive touch control and an IP66-rated front bezel, FPM-200 series is designed for intuitive operation in industrial environments such as smart factory and machine automation display applications.

Specifications

General

- **Certification** BSMI, CCC, CE, FCC Class A, UL
- **Dimensions (W x H x D)**
 - FPM-212: 311.8 x 238.0 x 53 mm (12.27 x 9.37 x 2.08 in)
 - FPM-215: 383.2 x 307.3 x 53.20 mm (15.08 x 12 x 2.09 in)
 - FPM-217: 410.4 x 343.4 x 54 mm (16.15 x 13.51 x 2.12 in)
- **Enclosure** Front panel: Die cast magnesium alloy
Rear cover: Die-casting aluminum
- **Mount Options** Stand, Wall, Panel and VESA arm (75 x 75mm)
- **Power Input** External 36 W power adapter, with AC 100 V ~ 240 V input and DC +12 V @ 3 A output (included)
- **Power Consumption** 15 W + 20%
- **Video Port** HDMI, DP, and VGA
- **Weight (Net)** 3.2 kg / 4.6 kg / 5.4 kg

LCD Display

- **Display Type** XGA/XGA/SXGA TFT LCD
- **Display Size** 12"/15"/17"
- **Max. Resolution** 1024 x 768/1024 x 768/1280 x 1024
- **Max. Color** 16.2M/16.2M/16.7M
- **Viewing Angle (H/V °)** 178/178, 176/176, 170/170
- **Luminance (cd/m²)** 600/300/250
- **Backlight Life** 50,000/70,000/50,000 hr
- **Contrast Ratio** 1000:1 / 2000:1 / 1000:1

Touchscreen

- **Type** 5-wire analog resistive
- **Interface** USB
- **Light Transmission** Above 75%
- **OS Support** Windows XP, Vista, 7, 8, 10, XPe and Linux

Environment

- **Operating Temperature** 0 ~ 50 °C (32 ~ 122 °F)
- **Storage Temperature** -20 ~ 60 °C (-4 ~ 140 °F)
- **Humidity (Storage)** 10 ~ 90% non-condensing
- **IP Rating** IP-66 graded front panel
- **Vibration** 5 ~ 500 Hz, 1 Grms (Operating, Random)

Vertrieb durch

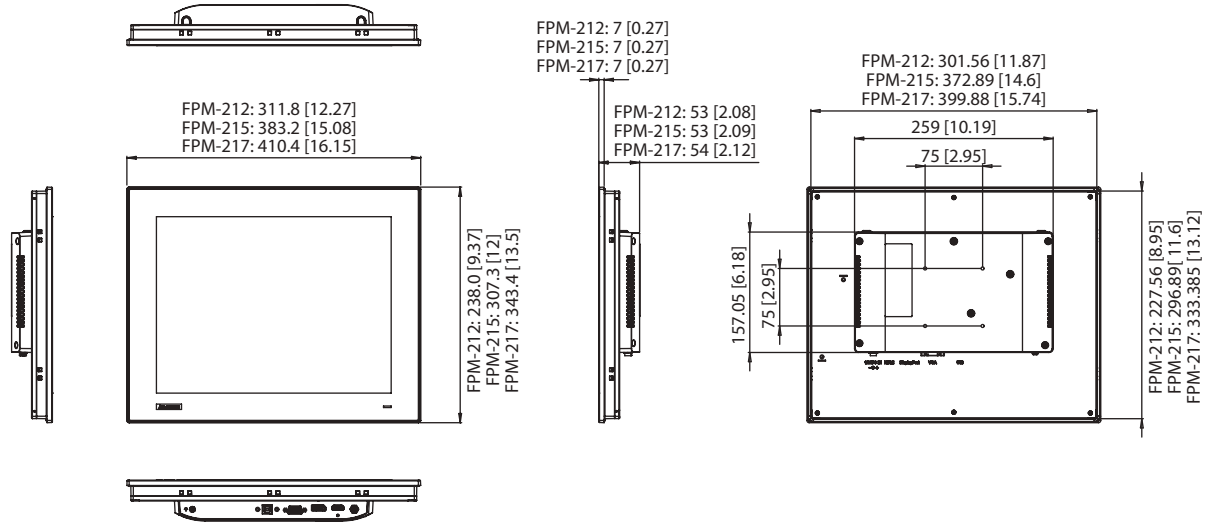
AMC – Analytik & Messtechnik GmbH Chemnitz

Heinrich-Lorenz-Str. 55 Tel.: +49/371/38388-0
 09120 Chemnitz Fax: +49/371/38388-99
 E-Mail: info@amc-systeme.de Web: www.amc-systeme.de



Dimensions

Unit: mm



Panel Cutout Dimensions: FPM-212: 303 x 229 mm (11.93 x 9.02 in)
 FPM-215: 374.5 x 298.5 mm (14.74 x 11.75 in)
 FPM-217: 401.3 x 334.8 mm (15.8 x 13.18 in)

Ordering Information

- **FPM-212-R8AE** 12" XGA Ind Monitor w/Resistive TS
- **FPM-215-R8AE** 15" XGA Ind Monitor w/Resistive TS
- **FPM-217-R8AE** 17" SXGA Ind Monitor w/Resistive TS

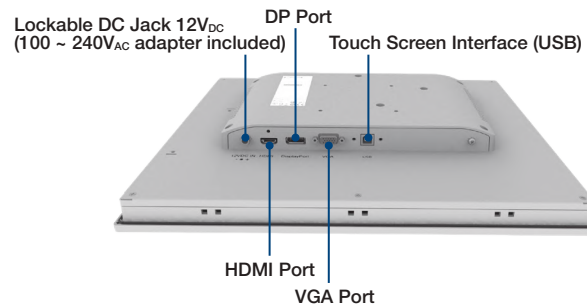
Optional Accessories

- **1700021373-01** Power Cable US Plug 2.5 M
- **1700021378-01** Power Cable EU Plug 2.5 M
- **170203180A-01** Power Cable UK Plug 1.8 M
- **1700018553** Power Cable China/Australia Plug 1.8 M
- **FPM-1000T-SMKE** Stand/Wall Mount Kit

Front View



I/O View



Rear View

