

MIC-7300

Compact Fanless System with Intel® Celeron® N3350/Atom™ x7-E3950 Processor

NEW



Features

- Intel® Celeron® N3350/Atom™ x7-E3950 processor
- 2 x RS-232/422/485 and 4 x RS232 serial ports (with expansion cable)
- 1 x 2.5" HDD/SSD and 1 x mSATA
- Supports 1 x 8-bit GPIO module
- 6 x USB 2.0 and 2 x USB 3.0
- VGA and DVI output
- Supports Advantech i-Modules, WISE-PaaS/RMM, and embedded software APIs
- 9 ~ 36V_{DC} input power
- Wide operating temperature N3350 (-10 ~ 60 °C)
- Wide operating temperature E3950 (-20 ~ 60 °C)



Specifications

System Chipset	CPU	Intel® Celeron® N3350	Intel® Atom™ x7-E3950
	Core Number	2	4
	Base Frequency	1.10GHz	1.60GHz
	Max Turbo Frequency	2.4 GHz	2.0 GHz
	L3 Cache	2M	2M
Memory	BIOS	128Mb SPI ROM	
	Technology	Dual channel DDR3L (up to 1867 MT/s) (without ECC)	
	Socket	2 x SODIMM DDR3L	
Display	Maximum Capacity	8GB	
	Chipset	Low-power Gen9 graphics with up to 18EUs	
	VGA	1 x DB15, up to 1920 x 1080 resolution	
	DVI	1 x DVI, up to 1920 x 1080 resolution (with optional expansion cable for second DVI connector and 1x HDMI)	
	Multiple Display	Supports 3 x independent displays	
Ethernet	Controller	LAN1/2: Intel® i210AT (supports wake-on-LAN)	
	Interface	2 x RJ45	
Storage	HDD	1 x 2.5" HDD/SSD	
	mSATA	1	
I/O	USB	2 x USB 3.0, 6 x USB 2.0, 1 x internal USB 2.0	
	Serial Port	2 x DB9, RS232/422/485 with automatic flow control and 4 x RS-232 (with expansion cable)	
	Audio	2 (1 x line out and 1 x mic in)	
Expansion	Module	Supports Advantech i-Modules	
	Mini PCIe	1 x mini PCIe/mSATA	
LED and Switch	LED	2 x TX, 2 x RX, and 1 x Storage	
	Button	1 x Power on/off switch	
Power	Type	ATX/AT	
	Input Voltage	9 ~ 36 V _{DC}	
	Power consumption	Typical: 25.211W Maximum: 58.604W	
Watchdog Timer	Output	System reset	
	Interval	Programmable 1 ~ 255 sec/min	
Environment	Temperature	Operating (with industrial SSD)	Non operating (with industrial SSD)
		N3350: -10 ~ 60 °C with 0.7 m/s air flow E3950: -20 ~ 60 °C with 0.7 m/s air flow	-40 ~ 60 °C @ 95% humidity (non-condensing)
	Humidity	95% @ 40 °C (non-condensing)	
	Vibration	With SSD: 3 Grms @ 5 ~ 500 Hz, random, 1 hr/axis	
		With 2.5" HDD: 1 Grms @ 5 ~ 500 Hz, random, 1 hr/axis	
Shock	With SSD: 10G, half-sine wave, 11 ms duration		
Mechanical	Dimensions (W x H x D)	73 x 192 x 230 mm (2.91" x 7.55" x 9.05")	
	Weight	2.9 kg (6.39 lbs)	
	Installation	Desktop/wall mount	
Certifications	EMC	CE/FCC Class A, CCC, BSMI	
	Safety	UL, CCC, BSMI	

Vertrieb durch



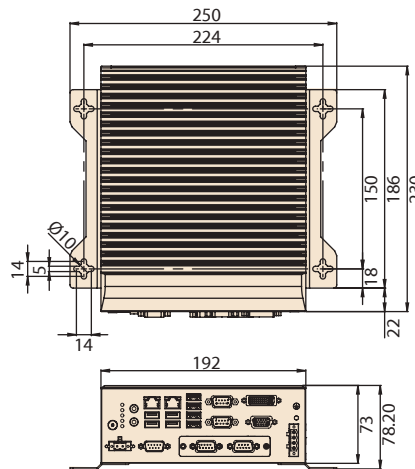
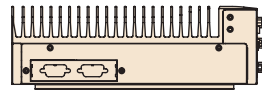
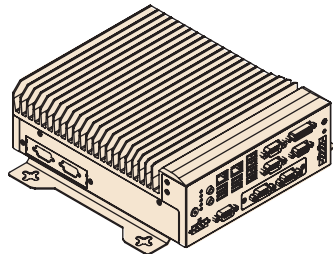
AMC – Analytik & Messtechnik GmbH Chemnitz

Heinrich-Lorenz-Str. 55 Tel.: +49/371/38388-0
09120 Chemnitz Fax: +49/371/38388-99
E-Mail: info@amc-systeme.de Web: www.amc-systeme.de



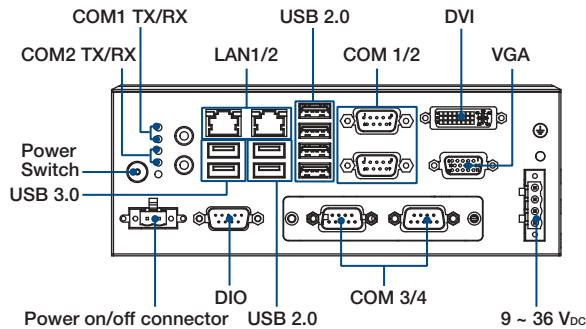
ADVANTECH iAutomation
Premier Partner

Dimensions

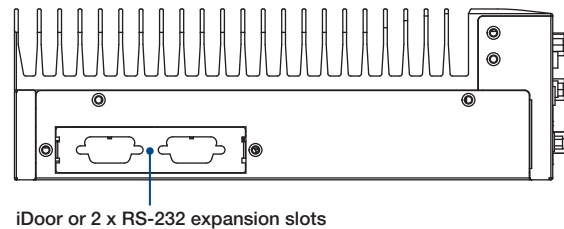


Unit: mm

Front View



Side View



Ordering Information

Part Number	CPU	VGA	DVI	2.5" HDD/SSD	USB 3.0	USB 2.0	GbE	COM	PCIe	Power
MIC-7300-S6A1E	Intel® Atom™ x7-E3950	1	1	1	2	6	2	4, up to 6 via cable	i-Module (optional)	9-36V DC
MIC-7300-S1A1E	Intel® Celeron® N3350	1	1	1	2	6	2	4, up to 6 via cable	i-Module (optional)	9-36V DC

Packing List

Part Number	Description	Quality
MIC-7300	Intel® Celeron® N3350/Atom™ x7-E3950 processor	1
2061730000	CD-ROM	1
2001730000	MIC-7300 startup manual (ENG+CN)	1
2001730010	MIC-7300 startup manual (TC)	1
1652003234	4-pin Phoenix power connector	1
1960070543T001	Mounting bracket	2
1700013095	SATA cable	1
1700024372-01	SATA power cable	1
1701200220	Dual DB9 cable (for COM5/COM6 expansion)	1
1990019498N000	RAM thermal pad	2

Optional i-Modules

Part Number	Description
MIC-73M13-00A1E	4-slot expansion module (1x PCIe1 and 3x PCI slots)
MIC-73M20-00A1E	2-slot expansion module (2x PCIe1 slots)
MIC-73M11-00A1E	2-slot expansion module (1x PCIe1 and 1x PCI slots)

Optional Accessories

Part Number	Description
96PSA-A65W19P2-2*	Adaptor A/D 100-240V 65W 19V
96PSA-A150W19P4-1**	Adaptor A/D, 100-240V, 150W, 19V
1702002600	Power cord (USA) UL/CSA, 3-pin, 10A, 125V, 1.83 M, 180 D
1700022940-01	Power cord PSE, 3-pin, 7A, 125V, 3 m, DAC-ST01
1702002605	Power cord (EU) 2-pin, 10/16A, 220V, 1.83 M, 90 D
AIS-DIO32-00A1E	DIO module, 32-CH, 9-pin USB interface
PCA-TPM-00B1E	TPM 2.0 module
98R1750000E	Secondary DVI accessory kit
98R1750030E	HDMI accessory kit

Note:

* Suggest to use for MIC-7300 without i-Module added.

** Suggest to use for MIC-7300 with i-Module added.

- MIC-7300 supports Advantech iDoor modules (both MOS and PCM series). Visit the Advantech website for more information.
- The PCM series module requires a bracket (P/N: 1960065854N001) that must be ordered separately.

Embedded OS

Part Number	Description
2070015326	Win10 IoT 2016 Ent 64-bit