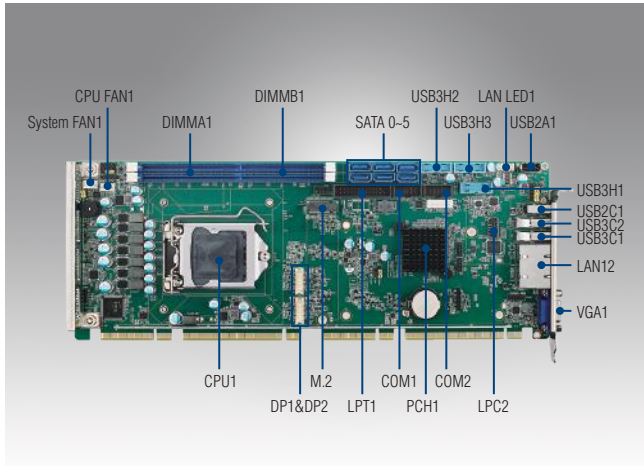


PCE-5132

LGA1200 10th Generation Intel® Core™ i9/ i7/i5/i3/Pentium/Celeron System Host Board with DDR4, SATA 3.0, USB 3.2, M.2, Dual GbE, and Triple Displays



Quiet Specifications

CE FCC

Features

- Intel® Core™ i9/i7/i5/i3 LGA1200 processor with Q470E chipset
- Up to 64 GB of dual-channel (non-ECC) DDR4 2666/2933 MHz
- PCIe 3.0, M.2, USB 3.2, SATA 3.0, and SW Raid 0, 1, 5, 10
- Supports out-of-band remote management with AMT
- Supports Advantech's LPC modules, SUSI 4.0, and embedded software APIs

Vertrieb durch



AMC – Analytik & Messtechnik GmbH Chemnitz

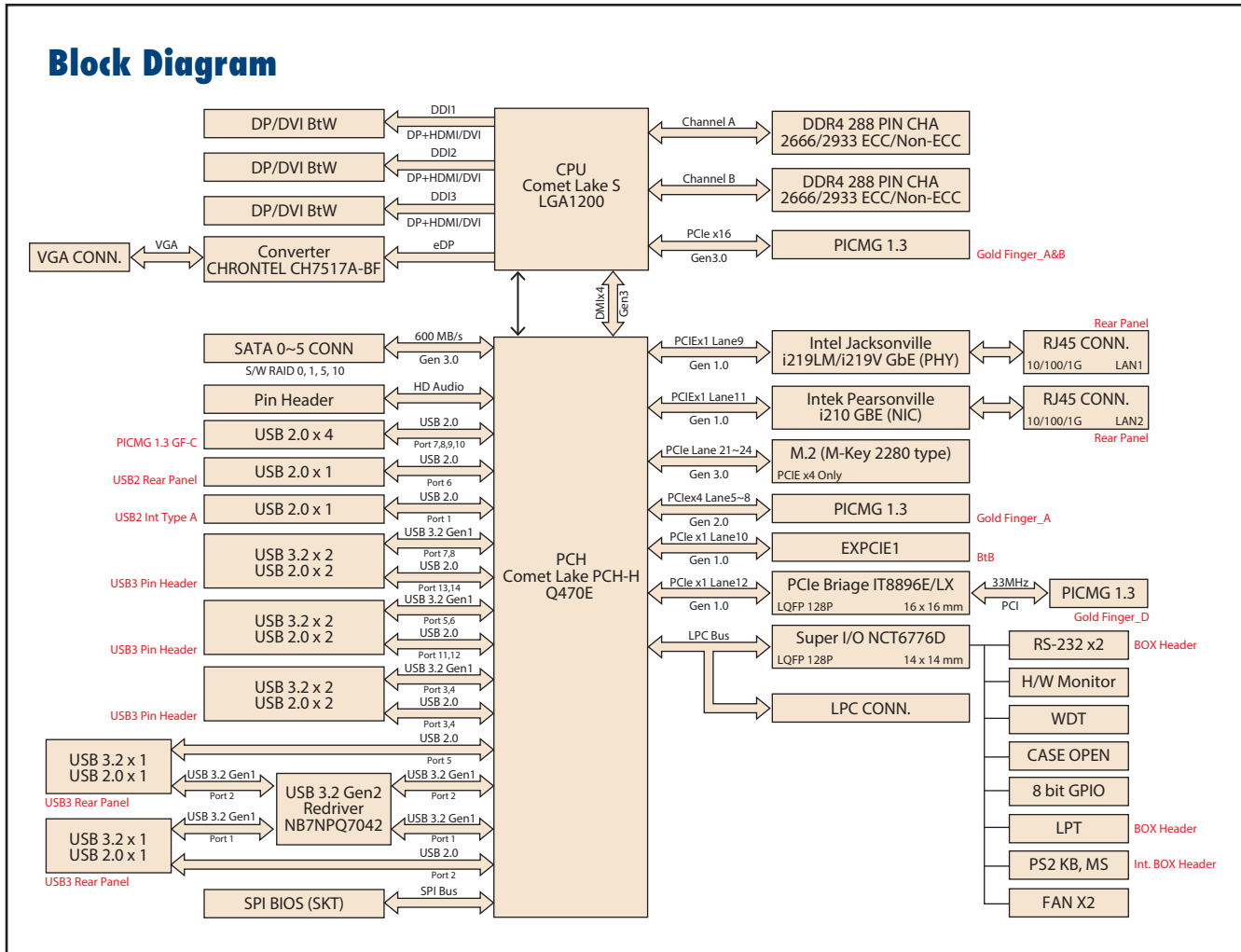
Heinrich-Lorenz-Str. 55 Tel.: +49/371/38388-0
09120 Chemnitz Fax: +49/371/38388-99
E-Mail: info@amc-systeme.de Web: www.amc-systeme.de

Processor System	CPU	I9-10900E	I9-10900TE	I7-10700TE	I7-10700E	I5-10500E	I5-10500E	I5-10500TE	I3-10100E	I3-10100TE	G6400E	G5900E	G5900TE	
	Speed	2.80GHz	1.80GHz	2.00GHz	2.90GHz	3.10GHz	3.10GHz	2.30GHz	3.60 GHz	2.30GHz	3.80GHz	3.20GHz	3.00GHz	
	L3 Cache	20MB	20MB	16MB	16MB	12MB	12MB	12MB	6MB	6MB	4MB	2MB	2MB	
	Cores	10	10	8	8	6	6	6	4	4	2	2	2	
	TDP	65W	35W	35W	65W	65 W	65W	35W	65W	35W	58W	58W	35W	
	Socket	LGA1200												
	Chipset	Q470E												
BIOS	AMI 256 Mbit SPI													
Bus	PCI-Express	1 x PCIe x16 and 1 x PCIe x4 to backplane												
	PCI	4 x PCI master to backplane, 32-bit, 33 MHz												
Memory	Technology	Dual-channel (non-ECC) U-DIMM DDR4 2666/2933 MHz (supports x8 DDR4 1024 M)												
	Max. Capacity	up to 64GB (based on CPU)												
	Socket	2 x DDR4 288-pin DIMM												
Graphics	Controller	Chipset integrated with Intel® HD Graphics												
	VRAM	Shared system memory is subject to OS												
	VGA	Supports resolutions of up to 2048 x 1152 @ 60MHz												
	DVI-D	Supports resolutions of up to 1920 x 1200 @ 60MHz												
	Display Port	Supports resolutions of up to 4096 x 2160 @ 60MHz												
Ethernet	Triple Display	CRT+DP/DVI-D+DP/DVI-D												
	Interface	10/100/1000 Mbps												
Rear I/O	Controller	LAN 1: Intel® I219-LM LAN 2: Intel® I210AT												
	Connector with LED	2 x RJ45												
Internal Connector	USB	5 x USB 2.0 (1 USB Type A + 4 on backplane)												
	SATA (SW Raid 0,1,5,10)	6												
	M.2 (2280 Type M)	1 (PCIe x4)												
	DP/DVI-D	2 (Pin header)												
	COM	2												
	Parallel	1												
	IrDA	1												
	GPIO	8bit												
	Watchdog Timer	Output	System reset											
		Interval	Programmable 1-255 sec											
Miscellaneous	Audio	Intel® High Definition audio interface (requires audio extension module PCA-AUDIO-HDB1E)												
Power Requirement	Test Environment	Intel W-1290E, Memory 2* DDR4 2666U 32GB												
	Voltage	+3.3V, 5V, 12V												
	Current	1.15A, 1.54A, 1.38A												
Environment	Operating	0 ~ 60 °C (dependent on CPU and cooler solution)										Non-Operating -40 ~ 85 °C		
	Humidity	40 °C @ 85% relative humidity (non-condensing)										60 °C @ 95% relative humidity (non-condensing)		
Physical	Dimensions (L x H)	338 x 122 mm (13.3" x 4.8")												



ADVANTECH iAutomation
Premier Partner

Block Diagram



Ordering Information

Part Number	PCH	Memory	Backplane	LAN	VGA	DP/DVI-D	COM	SATA III	M.2	USB 2.0	USB3.2 (Gen1)	USB3.2 (Gen2)	S/W Raid	AMT
PCE-5132G2-00A1	Q470E	Non-ECC	PCE-5BXX	2	Yes	2*	2	6	1	6	6	2	Yes	Yes

Note: DP/DVI-D cable is optional

Packing List

Part Number	Description	Quantity
1700003194	Serial ATA HDD data cable	x2
1701260305	COM + printer ports cable kit	x1
2190000902	Warranty card	x1
2041513200	Startup manual	x1

I/O View



PCE-5132G2-00A1

Optional Accessories

Part Number	Description
1960049408N001	CPU cooler for 1U Chassis and 84W TDP
1960050255N001	CPU cooler for 2U Chassis and 95W TDP
1960052651N021	CPU cooler for 2U/4U Chassis and 80W TDP
PCA-AUDIO-HDB1E	Audio module
PCA-COM232-00A1E	4-port RS-232 LPC module
PCA-COM485-00A1E	4-port RS-422/485 LPC module
1700002204	2-port USB2.0 cable w/BKT (27 cm)
1700020277-01	2-port USB 3.0 cable w/ BKT (30 cm)
1700031719-01	4-port USB 3.0 cable w/ BRK (30 cm)
1700021831-01	DP to DVI-D cable w/ BKT
PCE-DP10-00A1E	DP to DP cable w/ BKT
PCA-TPM-00B1E	TPM 2.0 Module
PCE-SA01-00A1E	Extension Stack Board

* for PCE-7132/5132/5032, PCE-SA01-00A1E miniPCIe only support PCIe x1 signal