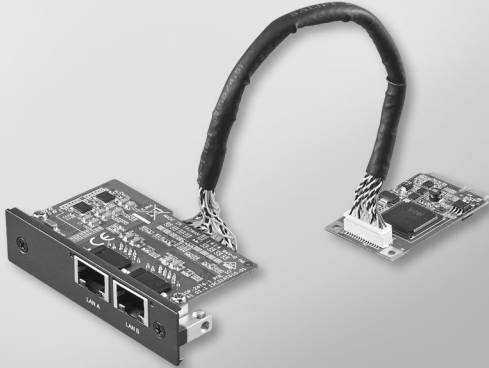


PCM-24R2GL

2-Port Gigabit Ethernet, mPCIe, RJ45

NEW



Features

- Meets Advantech Standard iDoor Technology
- PCI Express® Mini Card Specification Revision 1.2 compliant
- Supports 2 Gigabit Ethernet MAC Controller and PHY ports
- Supports 32/64-bit Windows 7/8, Linux 2.4/2.6
- Supports Embedded Automation PC UNO-2200/2400 series
- Supports Control DIN-Rail PC UNO-1200/1300/1400 series
- Supports Control Cabinet PC UNO-3200/3300/3400 series
- Supports Control Panel Computers TPC-xx81/xx82 series
- Supports Thin Client Panel Computers TPC-xx51 series

Vertrieb durch



AMC – Analytik & Messtechnik GmbH Chemnitz

Heinrich-Lorenz-Str. 55 Tel.: +49/371/38388-0
09120 Chemnitz Fax: +49/371/38388-99
E-Mail: info@amc-systeme.de Web: www.amc-systeme.de

Introduction

The PCM-24 series are categorized as communication modules from Advantech iDoor Technology. All of them are compatible with the PCI Express® Mini Card Specification Revision 1.2, including Isolated / Non-Isolated RS-232/422/485 communication cards for automation control, Wi-Fi /3G/GPS/GSM/LTE wireless communication models for data exchange during the management and machine level of automation application, Zigbee module as an IoT terminal or controller and PoE function for smart camera in detect inspection application of production. This is a flexible design that enables customers to customize their features which meet iDoor Technology.

Specifications

General

- **Bus Type** PCI Express Mini Card Revision 1.2
- **Certification** CE, FCC class A
- **Connectors** 2 x RJ45
- **Dimensions** Module: 51 x 30 x 12.4 mm (2" x 1.18" x 0.49")
I/O Plate: 81 x 19.4 x 41 mm (3.19" x 0.76" x 1.61")

Communications

- **LAN Controller** Intel® I350-AM2 LAN Controller
- **Speed** 10/100/1000 Mbps
- **No. of Ports** 2 Gigabit Ethernet Media Access Control (MAC) and physical layer (PHY) ports.

Power Requirements

- **Power Consumption** Typical: +3.3 V @ 9 W

Protection

- **Isolation Protection** 1,600 V_{oc}
- **ESD Protection** 4 KV (Contact), 8 KV (Air)
- **EFT Protection** 1,000 V

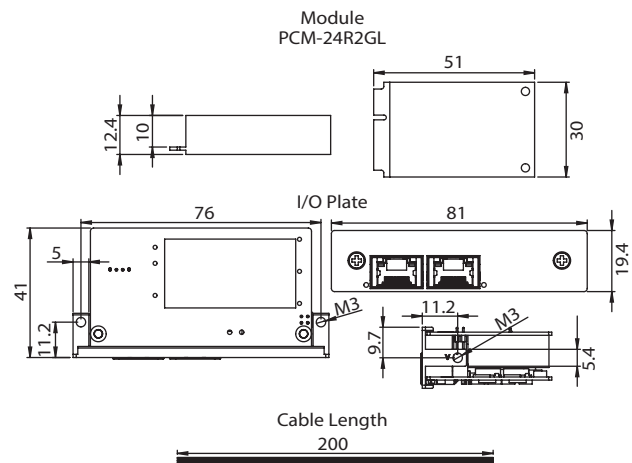
Software

- **OS Support** Microsoft® Windows® 7/8, Linux 2.4/2.6

Environment

- **Operating Humidity** 5 ~ 95% RH
- **Operating Temperature** 0 ~ 60°C (32 ~ 140°F)
- **Storage Temperature** -20 ~ 80°C (-4 ~ 176°F)

Dimensions



Ordering Information

- **PCM-24R2GL-AE** Gigabit Ethernet, mPCIe, RJ45 x 2