

# TREK-722/723

Vertrieb durch



AMC – Analytik & Messtechnik GmbH Chemnitz

Heinrich-Lorenz-Str. 55 Tel.: +49/371/38388-0  
 09120 Chemnitz Fax: +49/371/38388-99  
 E-Mail: info@amc-systeme.de Web: www.amc-systeme.de



## RISC All-in-One Mobile Data Terminal

### Features

- 5" & 7" LCD (800 x 480) with resistive touchscreen
- 24/7 monitoring & reporting
- CPU Cortex-A8 with WinCE6.0 and Android 4.0 (by project)
- Built-in CAN bus with J1939 protocol
- Built-in GPS with AGPS feature, BT, CDMA/GPRS/HSPA+
- Optional built-in WLAN in TREK-723 (by project)



## Introduction

TREK-722/723 is a RISC platform with 5"/7" display all-in-one Mobile Data Terminal (MDT). The radio frequency options and programmable function keys make TREK-722/723 suitable for local fleet management, especially small truck, local delivery, government fleet and taxi. It is designed with vehicle power compliant to ISO7637-2 & SAE J1113 ensuring stability in a car with a "dirty" power system. With Suspend/Wakeup feature, TREK-722/723 supports a 24/7 monitoring mechanism with periodic, digital input & WWAN wakeup.

## Specifications

	Model	TREK-722	TREK-723
Display	Type	5" industrial grade wide screen TFT LCD	7" industrial grade wide screen TFT LCD
	Luminance	350 cd/m <sup>2</sup> (without touchscreen), auto brightness controlled by light sensor	400 cd/m <sup>2</sup> (without touchscreen), auto brightness controlled by light sensor
	Resolution	800 x 480	800 x 480
	View Angle (R/L/B/T)	70/70/70/50	70/70/70/50
	Contrast Ratio	500 (typical)	500 (typical)
	LED Lifetime	20000 hr (minimum)	20000 hr (minimum)
	Touchscreen	Type	4-wire resistive with flat panel design
Light Transmission		81±3%	
Kernel	CPU	TI ARM Cortex-A8 default AM3703 800 MHz; optional AM3715 1 GHz (by project)	
	RAM	On board default 256MB Mobile LPDDR; optional 512MB (by project)	
	Storage	On board NAND type 2GB for boot loader, OS & customer's APs 1 x push-push type SD slot	
	Watchdog	Yes	
	RTC	Yes with one time swappable 200 mAh lithium coin battery	
	Operating System	Default WinCE 6.0 R3 Core; optional Android ICS 4.0 by project	
Functions	GPS (Optional)	Built-in 50 channel u-blox LEA-6S with internal antenna	
	WWAN (Optional)	<ul style="list-style-type: none"> <li>▪ Built-in CDMA/EV-DO module Sierra Wireless MC5728V with internal antenna</li> <li>▪ Built-in Quad-band GPRS module Cinterion TC63i with internal antenna</li> <li>▪ Built-in UMTS/HSPA+ module Cinterion PH8 with internal antenna</li> </ul>	
	WLAN (Optional)	802.11b/g/n with external antenna; TREK-722 supports either WLAN or WWAN. TREK-723 supports both	
	Bluetooth (Optional)	Built-in Class 2 Bluetooth V2.1+EDR with internal antenna	
	Audio	1 x built-in 2 W mono speaker 1 x MIC input, 1 x mono line-in, 1 x stereo line-out via high density cable (*1)	
	Video	1 x CVBS input via high density cable (*1) 1 x Y/C input via high density cable (*1)	
	USB Client	1 x USB client I/F via USB mini-B connector with rubber door protection	
	USB Host	1 x USB host I/F via USB A-type connector (500 mA) with rubber door protection 1 x USB host I/F via high density cable (*1) with USB A-type connector (500 mA)	
	Serial Port	2 x 4-wire RS-232 via high density cable (*1)	
	Digital Input/Output	2 x isolated digital input (DI) which can wake up system via high density cable (*1) 2 x isolated digital output (DO) via high density cable (*1)	
	CAN bus	1 x CAN bus 2.0a/b with J1939 protocol via high density cable (*1)	
Power Supply	Function Key	5 x programmable function keys with green LED	
	Input Voltage	12 V/24 V option supports 6 – 36 V car power design with ISO7637-2 & SAE J1113 compliant	
	Ignition ON/OFF	Power on delay, default 2 seconds; Power off delay, default 5 seconds; Hardware power off delay, default 30 seconds. SW configurable	
	24/7 monitoring	<300 mW low power saving mode with periodical, DI, WWAN wakeup mechanism	
Mechanical	Material	Plastic chassis with aluminum heat sink	
	Ingress Protection	IP54 except I/O plate at the bottom	
	Weight	650 grams (TREK-722) / 850 grams (TREK-723)	
	Dimensions (W x H x D)	165 x 115 x 43 mm (TREK-722) / 213 x 145 x 45 mm (TREK-723)	

\*1. High density cable is an optional item for ordering.



# TREK-722/723

Vertrieb durch



**AAC – Analytik & Messtechnik GmbH Chemnitz**

Heinrich-Lorenz-Str. 55  
09120 Chemnitz

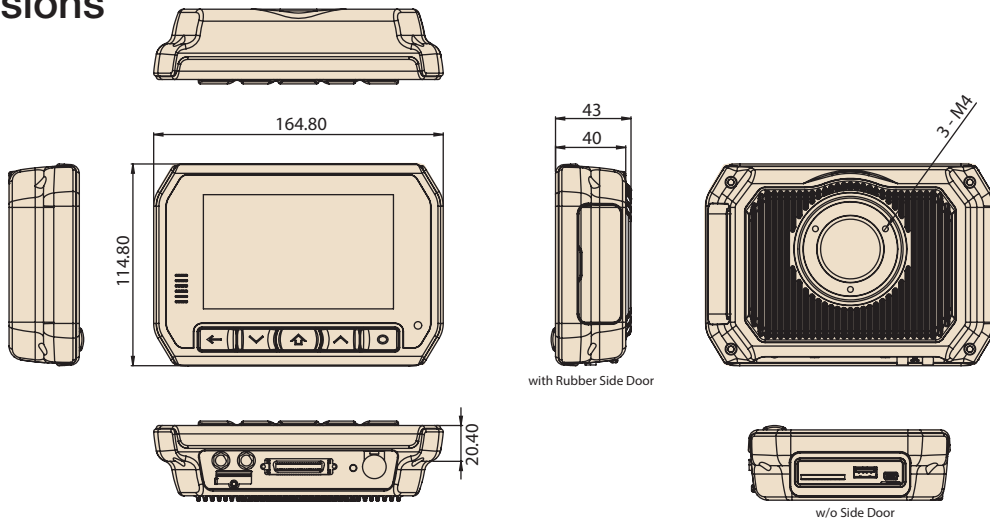
Tel.: +49/371/38388-0  
Fax: +49/371/38388-99

E-Mail: info@aac-systeme.de Web: www.aac-systeme.de

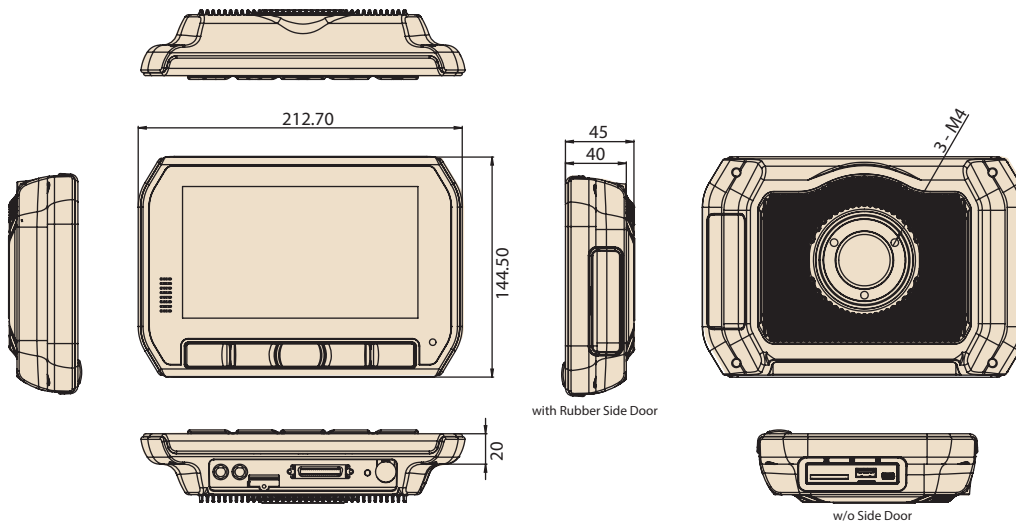
## Dimensions

Unit: mm

### TREK-722



### TREK-723



## Specifications Cont.

Environmental Specifications	Operating Temperature	-20 ~ 60° C (TREK-722) / -30 ~ 70° C (TREK-723)
	Storage Temperature	-30 ~ 80° C
	Relative Humidity	10 ~ 90% @ 40° C (non-condensing)
	Shock/Vibration	Compliant to MIL-STD-810G, SAE J1455, Class 5M3 according to DIN EN 60721-3-5
	Certifications	CE, FCC, UL, CUL, CB, CCC, E-mark, PTCRB

## Ordering Information

Part Number	Description
TREK-722R-A1E	TREK-722 barebone (GPRS/HSPA+ dedicated)
TREK-722R-CBCEB1E	TREK-722R-B1E w/ GPS, CDMA (Verizon), BT, CE
TREK-722R-GBCEA1E	TREK-722R-A1E w/ GPS, GPRS, BT, CE
TREK-722R-HBCEA1E	TREK-722R-A1E w/ GPS, HSPA, BT, CE
TREK-723R-A1E	TREK-723 barebone (GPRS/HSPA+ dedicated)
TREK-723R-CBCEB1E	TREK-723R-B1E w/ GPS, CDMA (Verizon), BT, CE
TREK-723R-GBCEA1E	TREK-723R-A1E w/ GPS, GPRS, BT, CE
TREK-723R-HBCEA1E	TREK-723R-A1E w/ GPS, HSPA, BT, CE

## Optional Items

Part Number	Description
1700020042	(*1) High density cable for I/O expansion
1700019611	Cigarette lighter cable for testing purposes (30cm)
9666074302E	19V adapter for TREK-743 test purposes
RAM-MOUNT-02	VESA RAM mount w/2.5" DIA. base, 1.5" ball
RAM-MOUNT-07E	75mm VESA base, RAM-202U, and socket ARM
RAM-MOUNT-09E	clamp base, RAM-202U, and socket ARM