

# UTC-515



ADVANTECH iAutomation

Premier Partner

## 15.6" Ubiquitous Touch Computer UTC-515G with Intel® Pentium N4200 UTC-515H with Intel® Core™ i3-8145UE

NEW



DeviceOn/iService

### Features

- Low power and fanless system design
- Built-in Intel® Pentium N4200 (UTC-515G)
- Built-in Intel® Core™ i3-8145UE (UTC-515H)
- 15.6" monitor with 16:9 widescreen display
- IP65-rated front panel for water and dust resistance
- All in one aluminum extrusion design
- Supports both landscape and portrait screen orientations
- VESA 100 mm standard mounting holes for varied mounting demands
- Side groove design for flexible peripheral installation
- Watchdog timer: Single chip Watchdog 255-level interval timer, setup by software
- Customized Anti-Glare surface touch is available
- Optional Full HD (1920 x 1080) LCD panel
- Support DeviceOn/iService software for remote device management



### Introduction

UTC-515 features an all-in-one computing system equipped with wide format, touch based LCD panel. It is easy to integrate key peripherals and display systems for diversified self-service and interactive signage deploy in different application areas. The systems deliver updated information with well-designed interactive interfaces, fully ensure relevant content and targeted promotions are delivered. UTC series touch panel computers are the best investments to enhance user satisfaction, further brand equity, and maximize business profits.

Moreover, Advantech DeviceOn/iService Software is a next-generation unified device management unified device management solution based on the WISE-DeviceOn platform. With support for batch operations and multi-device control, DeviceOn/iService enables easy device configuration and deployment for convenient remote device management.

### Specifications

| Model                          | UTC-515G  |  | UTC-515H  |  |
|--------------------------------|---|--|---|--|
| Processor System               | CPU   | Intel® Pentium® N4200 (UTC-515G)   | Intel® Core™ i3-8145UE (UTC-515H)<br>Intel® Core™ i5-8365UE (Optional)*<br>Intel® Core™ i7-8665UE (Optional)* |  |
|                                | Base Frequency  | 1.1 GHz (N4200/Quad-Core)  | 1.60 GHz (Quad-core)  |  |
|                                | LLC   | L2 Cache 2MB   | 6MB   |  |
|                                | Memory  | 1 x 204 pin SO-DIMM DDR3L 1867 MHz up to 8GB   | Dual Channel / Dual Socket DDR4 2400 up to 32 GB  |  |
|                                | HDD   | 1 x 2.5 internal SATA HDD bay  |   |  |
|                                | Network (LAN)   | 2 x Gigabit Ethernet ports (Supports Wake on LAN)  |   |  |
|                                | I/O ports   | 2 x RS-232 COM (RS-422/485)*<br>2 x USB 2.0 / 2 x USB 3.0<br>2 x Gigabit Ethernet (RJ-45)<br>1 x VGA<br>1 x HDMI<br>Audio Line-out x 1, Mic-in x 1 |   | 2 x RS-232 COM (RS-422/485)*<br>4 x USB 3.1<br>2 x Gigabit Ethernet (RJ-45) 1 x HDMI<br>Audio Line-out x 1, Mic-in x 1       |
|                                |   | Stereo Speaker   | 1 W x 2   |  |
|                                |   | Bus expansion  | Full-size MiniPCIe / M.2  | 1 x M.2 E-key 2230<br>1 x M.2 B-key 2280 (NVMe PCIe2), 3042 LTE module (support USB2.0 only), optional M-key 2280 NVMe PCIe4 |
|                                |   | Mounting   | VESA 100 x 100 mm   |  |
|                                | Dimensions (W x H x D)                                    | 389.81 x 240.12 x 45.20 (mm)   |   |  |
|                                | Weight  | 4.85 kg (10.67 lb)   |   |  |
|                                | Board Feature   | Watchdog Timer   | 65536 level, 0-65535 sec  |  |
| TPM                            |   | TPM2.0 (SLB9670XQ2.0)  |   |  |
| OS Support                     | Win 10 IoT Enterprise<br>Android 10<br>Linux Ubuntu 20.04 |  | Win 10 IoT Enterprise   |  |
|                                | Operating Temperature                                     | 0 ~ 40° C (32 ~ 104° F)  |   |  |
| Environmental Specifications   | Relative Humidity   | 10 ~ 95% @ 40° C non-condensing  |   |  |
|                                | Vibration   | 0.5G   |   |  |
|                                | Shock   | 5G peak acceleration (11 msec. duration)   |   |  |
|                                | EMC/ Safety   | CE (No RED certification), EN 61000-6-2: 2005 / AC: 2005, FCC, UL, CB, CCC, BSMI   |   |  |
|                                | Front Panel Protection                                    | IP65/ NEMA4 Compliant  |   |  |
| Power Supply                   | Input Rating  | 12 V/5 A (60 W ITE Adapter)  | 12-24V/7A (84W ITE Adapter)   |  |
|                                | Power consumption   | Typical 35W<br>Max. 40W  | Typical 40W<br>Max. 50W   |  |
| LCD Display                    | Size/Type   | 15.6" TFT LCD with LED backlight   |   |  |
|                                | Max Resolution  | 1366 x 768 (FHD 1920 x 1080 Optional)  |   |  |
|                                | Max. Color  | 16.7M  |   |  |
|                                | Pixel Pitch (um)  | 252 (H) x 252 (V)  |   |  |
|                                | Brightness (cd/m²)  | 400 nits   |   |  |
| Touch Screen Option (PE/RE/GE) | Type  | Projected Capacitive. Anti-Glare Available   |   |  |
|                                | Light Transmission  | 90% ± 2% / 80% ± 5% / 90%  |   |  |
| Controller                     | USB Interface   |  |   |  |

Vertrieb durch



AMC – Analytik & Messtechnik GmbH Chemnitz

Heinrich-Lorenz-Str. 55 Tel.: +49/371/38388-0  
09120 Chemnitz Fax: +49/371/38388-99  
E-Mail: info@amc-systeme.de Web: www.amc-systeme.de

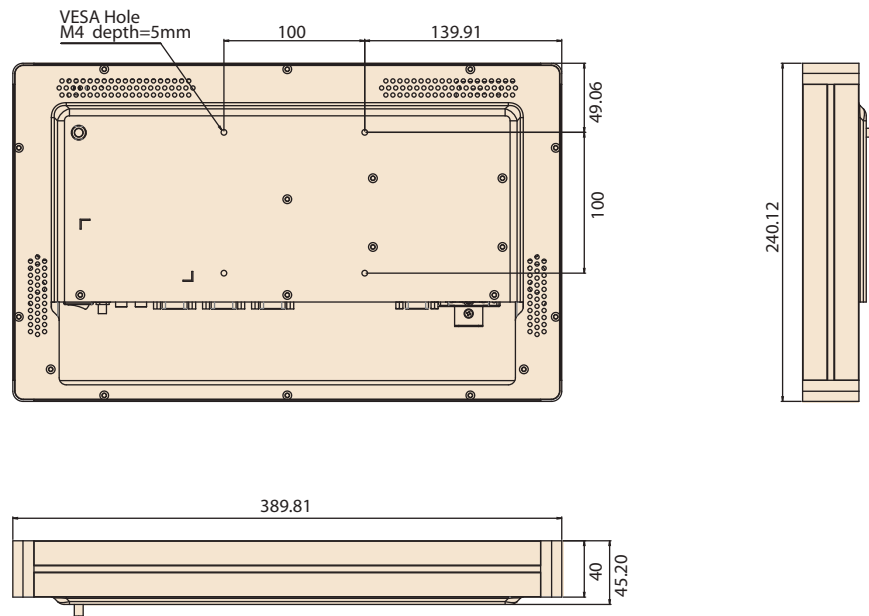
## Specifications (Cont.)

|   |                                    |            |
|---|------------------------------------|------------|
| DeviceOn/iService<br>Remote Device Management | Operating System                   | Windows 10 |
|   | Common Controls (Reboot, Shutdown) | ✓          |
|   | Remote desktop                     | ✓ (VNC)    |
|   | Audio Controls                     | ✓*         |
|   | Connection Status                  | ✓          |
|   | Hardware Status                    | ✓*         |
|   | Hard Disk Status                   | ✓*         |
|   | Batch Operation Support            | ✓          |
|   | OTA Storage Management             | FTP        |
|   | OTA Software Updates               | ✓          |
| Software Watchlist                            | ✓                                  |            |
| *Dependant on device model                    | Software Start/Stop                | ✓*         |

Note: DeviceOn/iService software must be downloaded from the Advantech website at <https://www.advantech.com/search/?q=DeviceOn%2FiService&st=support&sst=Utility>

## Dimensions

Unit: mm



## Ordering Information

| Part No.        | Description   |
|-----------------|---|
| UTC-515G-PE     | 15.6" 9H PCT.T/S with Intel Pentium N4200, 4GB RAM, IT Adapter  |
| UTC-515GP-ATB0E | 15.6" 7H PCT.T/S with Intel Pentium N4200, 4GB RAM, IT Adapter  |
| UTC-515GR-ATB0E | 15.6" Resi.T/S with Intel Pentium N4200, 4GB RAM, IT Adapter    |
| UTC-515H-PE     | 15.6" 9H PCT.T/S with Intel Core i3-8145UE, 4GB RAM, IT Adapter |
| UTC-515HP-ATB0E | 15.6" 7H PCT.T/S with Intel Core i3-8145UE, 4GB RAM, IT Adapter |
| UTC-515HR-ATB0E | 15.6" Resi.T/S with Intel Core i3-8145UE, 4GB RAM, IT Adapter   |
| 1702002600      | Power Cord 3P UL/CSA(USA) 125V 10A 1.83M 180D                   |
| 1700000596      | Power Cord (China) CCC,10A 250V, 3P 1830mm                      |
| 1700018704      | Power Cord UK BSI 2P 10A 250V 180cm 18AWG                       |
| 1960060674N001  | IO Cover for UTC-515 series                                     |

## Peripherals for UTC-500 series

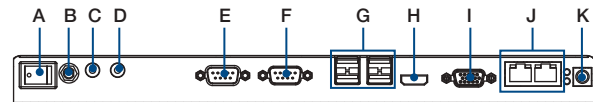
| Part No.    | Description   |
|-------------|---|
| UTC-P01-A1E | 5M Camera Module For UTC-5XX (USB connection)                     |
| UTC-P02-A0E | Magnet Strip Reader For UTC-5XX (USB connection)                  |
| UTC-P03-A1E | RFID / NFC Reader For UTC-5XX (USB connection)                    |
| UTC-P06-A2E | Smart Card Reader For UTC-5XX (USB connection)                    |
| UTC-P07-A4E | 2D Barcode Module (Honeywell) for UTC-500 Series (USB connection) |
| UTC-P09-A0E | Fingerprint reader for UTC-5xx (USB connection)                   |
| UTC-P21-A2E | 4 in 1 Modules Barcode reader + RFID + Card reader + MSR          |

## Installation Accessory

| Part No.           | Description                                   |
|--------------------|---|
| 96PD-00824         | UTK-700 Desktop Stand (w/o Printer)           |
| 96PD-00825         | UTK-700 Extension Tower (For 96PD-00824 only) |
| UTC-520-STAND1E    | Desktop stand for UTC-515/520                 |
| ASK-TBSD-BS1702A01 | Desk Stand for 100 X 100 / 75 X 75 mm         |
| UTC-T01-STANDE     | Triangle shape floor stand                    |
| UTC-H01-STANDE     | H-shaped floor stand                          |
| ASK-MNT-NMBLA37G00 | Wall Mount kit for UTC-515/520                |
| ASK-MNT-NMBLA10AC0 | Wall Mount kit for UTC-515/520                |

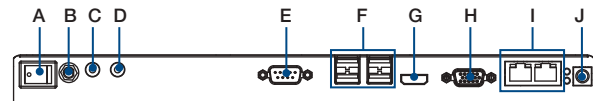
## Fully- Integrated I/O

### UTC-515G



- |                 |                             |
|-----------------|-----------------------------|
| A. Power switch | G. USB 3.0 x 2, USB 2.0 x 2 |
| B. Antenna Port | H. HDMI                     |
| C. Line-out     | I. VGA                      |
| D. Mic-in       | J. LAN Ports x 2            |
| E. COM2         | K. DC Input                 |
| F. COM1         |                             |

### UTC-515H



- |                 |                  |
|-----------------|------------------|
| A. Power switch | F. USB 3.1 x 4   |
| B. Antenna Port | G. HDMI          |
| C. Line-out     | H. COM1          |
| D. Mic-in       | I. LAN Ports x 2 |
| E. COM2         | J. DC Input      |