

FPM-710SW

USB Type-C one cable, 10.1" WUXGA Industrial Monitor with P-CAP Touch Control, Direct HDMI, DP



Introduction

In IIoT and Industry 4.0, more and more customers need data to be visualized to help process management and decision making. The FPM-710SW are industrial-grade, widescreen monitor with sleek, simple lines and a true-flat touchscreen. Equipped with P-CAP multi-touch control and an IP66-rated front bezel, FPM-710SW series is specifically designed for industrial applications. FPM-710SW is first use type-C one single cable Ind. Touch Monitor. Moreover, FPM-710SW support various mount options to make these monitors ideal for factory and machine automation display applications.

Specifications

General

- **Certification** BSMI, CCC, CE, FCC Class A, UL, CB
- **Dimensions (W x H x D)** 260.5 x 179.1 x 45.0 mm (10.3" x 7.1" x 1.8")
- **Enclosure** Front panel: Die-casting aluminium, Rear cover: Die-casting aluminium
- **Mount** Options Stand, Wall, Panel and VESA arm (100 x 100mm)
- **Power Input** Terminal Block: 12-24 V_{DC} input
- **Video Port** HDMI, DP, and Type-C
- **USB** Rear I/O USB3.0 Type A=>Type B
- **Weight (Net)** 1.1kg (2.42lb)

LCD Display

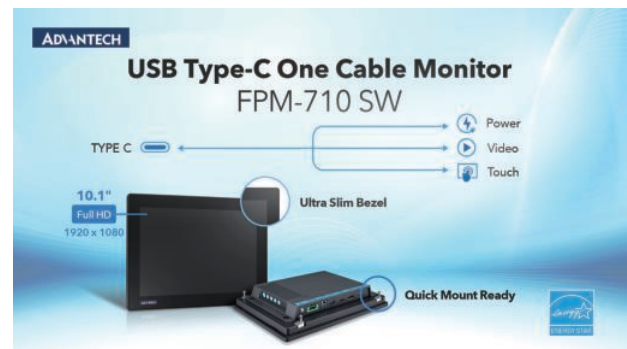
- **Display Type** WUXGA TFT LED LCD
- **Display Size** 10.1"
- **Max. Resolution** 1920 x 1200
- **Max. Color** 16.7M
- **Viewing Angle (H/V)°** 178/178
- **Luminance (cd/m²)** 380
- **Backlight Life (hrs)** 30,000
- **Contrast Ratio** 800:1

Touchscreen

- **Type** Projected capacitive touch
- **Interface** USB
- **OS Support** Windows® 7, 8, 10, 11, XPe, CE and Linux
- **Hardness** 7H
- **Multi Touch** 10 points, USB interface in Win 7/8/10, Linux

Features

- USB Type-C connection touch monitor 1920 x 1200
- 10.1" WUXGA TFT LED LCD with true-flat touchscreen
- 16:9 wide screen aspect ratio, increases viewing area by 40%
- Supports multi-touch control via USB interface in Windows 7/8/10 OS
- Slim design enables easy installation with Build-in panel mount kit
- Supports various mount options: panel, desktop, and VESA arm
- Touchscreen with reliable glass surface and P-CAP touch control
- Robust system with Die-casting aluminum chassis and IP66-rated aluminum alloy front bezel
- Lockable I/O connectors
- Supports various mount options: panel, desktop, and VESA mounting
- First single cable Ind. Touch Monitor



Environment

- **Operating Temperature** -10 ~ 50 °C (14 ~ 122 °F)
- **Storage Temperature** -20 ~ 60 °C (-4 ~ 140 °F)
- **Relative Humidity** Operating, 95% RH @ 40 °C, Non-Condensing
Non-Operating, Operating, 95% RH @ 60 °C, Non-Condensing
- **Waterproof** Front Panel IP66 Compliant
- **Vibration** 5 ~ 500 Hz, 1 Grms (Operating, Random)

Power Consumption

- **FPM-710SW-P7AE** 12V 1.04 (Standby), 10.16 (Max)
24V 0.82 (Standby), 10.66 (Max)

Ordering Information

- **FPM-710SW-P7AE** 10.1" WUXGA Ind. Monitor, W/PCAP touch

Optional Accessories

- **1702002600** Power Cable US Plug 1.8 M
- **1702002605** Power Cable EU Plug 1.8 M
- **1702031801** Power Cable UK Plug 1.8 M
- **1700000596-11** Power Cable China/Australia Plug 1.8 M
- **PWR-247-DE** Adapter 100-240V 60W 24V 2.5A
- **FPM-1000T-SMKE** Desktop/Wall Mounting kit for FPM series
- **FPM-7000G-ADKE** Mounting bracket of adapter for FPM-7000



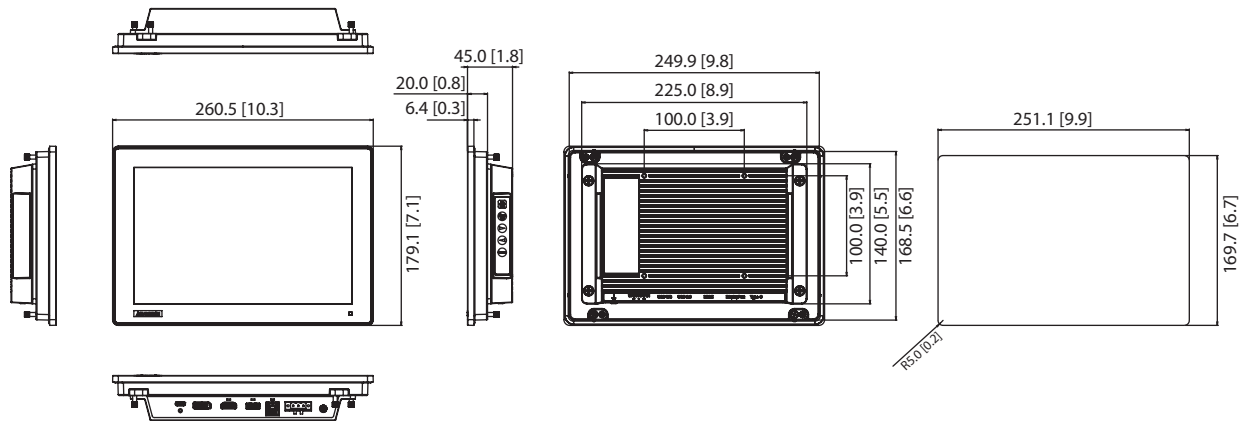
All product specifications are subject to change without notice.



Last updated: 6-Feb-2025

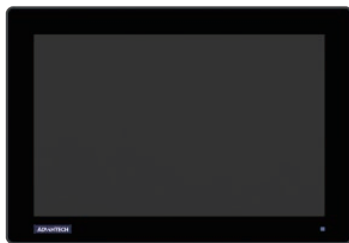
Dimensions

Unit: mm



Panel Cutout Dimensions: 251.1[9.9] x 169.7[6.7] mm, corner=R5[0.2]mm (±0.5[0.019]mm)

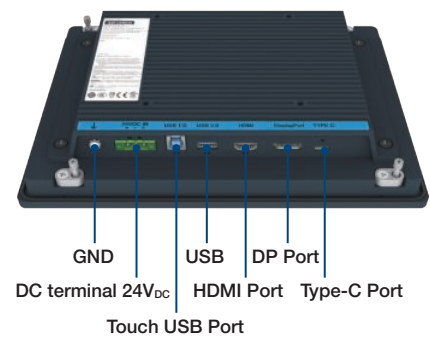
Front View



Rear View



I/O View



Packing List

Item	Part No.	Description	Qty	Note
Terminal Block	1652007930-01	Plug-In Block 1x3P/5.08mm/PA66/F/VA/Sn/GR/H15.0	1	
USB Type C	170P000009-01	M cable USB-C 24P(M)/USB-C 24P(M) 100cm USB3.1	1	
GND cable	170P000007-01	A Cable G-TEM 4.3 100CM	1	
USB touch Cable	170P000008-01	M cable USB-A 9P(M)/USB-B 9P(M) 105cm	1	
HDMI Cable	170P000010-01	M Cable HDMI-A 19P(M)/HDMI-A 19P(M) 200cm 1.4	1	
HDMI and DP lockable kit	1990022422S000	Fixed rail 71.3Lx6.2W mm YJC-64C for UBC-DS31	3	
HDMI and DP lockable kit	1990022423S000	Fixed ring DIA:7.5-8.5 FWM-8K for UBC-DS31	3	

Type-C Compatible UNO List

- UNO-238-C3N1AE / UNO-238-C5N1AE / UNO-238-C7N1AE
- UNO-2271G-I331AE