

IPC-7220

Desktop/wallmount Chassis for ATX/mATX Motherboard



Features

- Two 5.25" and two 3.5" shock-resistant drive bays
- Lockable front door to prevent unauthorized access
- LED indicators and alarm notification for system fault detection
- Easy-to-maintain system fan and air filter
- Low noise PWM controlled
- Built-in Intelligent System Module enables whole system fan control and remote manageability

Vertrieb durch



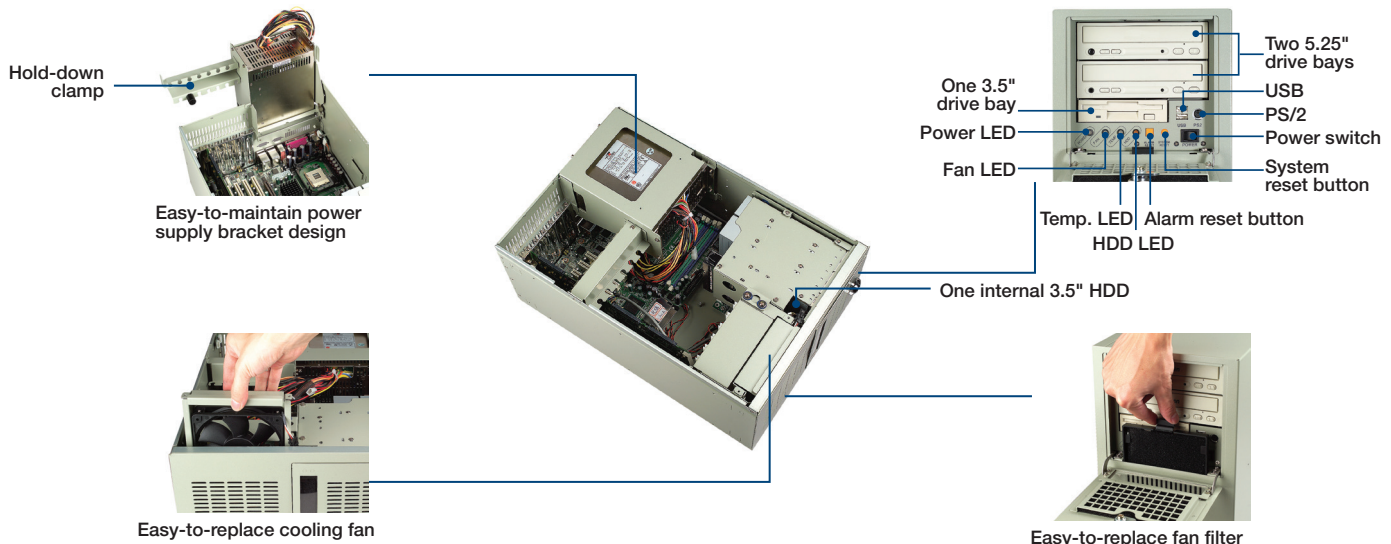
AMC – Analytik & Messtechnik GmbH Chemnitz

Heinrich-Lorenz-Str. 55 Tel.: +49/371/38388-0
 09120 Chemnitz Fax: +49/371/38388-99
 E-Mail: info@amc-systeme.de Web: www.amc-systeme.de

Quiet Specifications

CE FCC

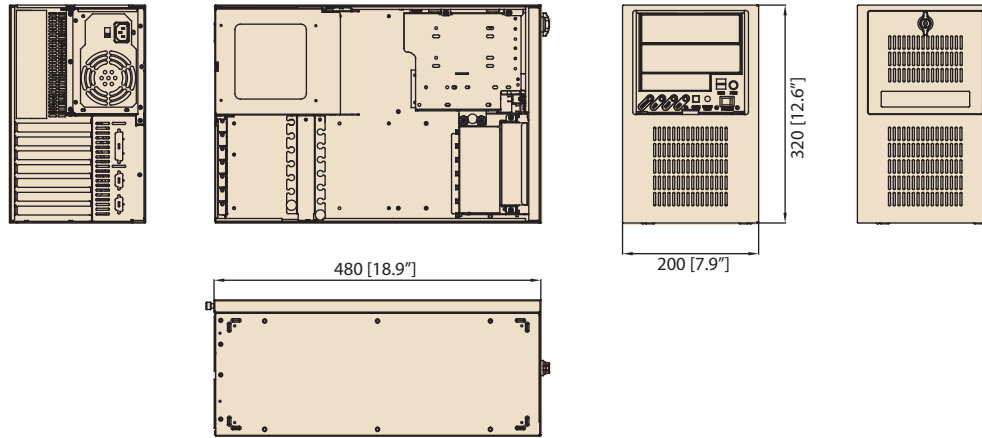
		External	Internal
Drive Bay	5.25"	2	-
	3.5"	1	1
Cooling	Fan	1 (12 cm / 82 CFM)	
	Air Filters	2 (one 7 x 12 cm and one 12 x 12 cm)	
	Smart Fan	System fan speed referring to chassis thermal sensor, or CPU temperature (Available with selected Advantech AIMB-78X, PCE-51XX/71XX mainboards)	
Front I/O Interface	USB 2.0	2	
	PS/2	PS/2 keyboard and mouse, or PS/2 keyboard depends on the enclosed motherboard	
Miscellaneous	LED Indicators	Power, HDD, temperature and fan	
	Control	Power switch, system reset and alarm reset buttons	
	Rear Panel	Reserved Two 9-pin D-Sub openings, one LPT opening	
Intelligent System Module Hardware Monitoring	CPU/System fan speed, CPU/System temperature (Only Advantech AIMB-78X, PCE-51XX/71XX mainboards can enable CPU fan speed and temperature monitoring function of Intelligent System Module)		
Environmental	Temperature	Operating 0 ~ 40 °C (32 ~ 104 °F)	Non-Operating -20 ~ 60 °C (-4 ~ 140 °F)
	Humidity	10 ~ 85% @ 40 °C, non-condensing	
	Vibration (5 ~ 500 Hz)	1 Grms	
	Shock	10 G (with 11 ms duration, half sine wave)	
	Physical Characteristics	Dimensions (W x H x D)	200 x 320 x 480 mm (7.9" x 12.6" x 18.9")
	Weight	14 kg (30.8 lb)	



ADVANTECH iAutomation
Premier Partner

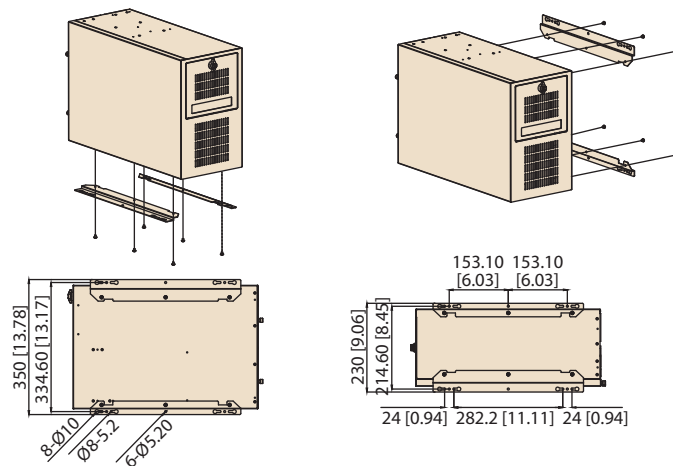
Dimensions

Unit: mm [inch]



Installation

Unit: mm [inch]



Ordering Information

Number	Power supply	Power supply type	Wattage	80 plus grade	Switch type
IPC-7220-00C	(NA, barebone)	NA	NA	NA	ATX
IPC-7220-30C	PS8-300ATX-ZBE	Single	300W	Bronze	ATX
IPC-7220-50C	PS8-500ATX-BB	Single	500W	Bronze	ATX

Packaging List

Part number	Description	Quantity
IPC-7220, Rev.C	IPC-7220 wallmount chassis	1
1750008561-01	12 cm system PWM fan	1
1700024778-11	fan cable for 12cm system fan	1
2130004793S000	fan filter	1
Content of Accessory Box		
1960002043T004	Mounting bracket	1
1960004574T005	Mounting bracket	1
1992600110	rubber feet	4
	Screws/nuts and rubber for motherboard and devices	one bag
2002722001	User manual (English)	1
2002722010	User manual (Mandarin)	1

Optional Accessories

Part Number	Description
IPC-DT-3120E	Mobile rack for converting a 3.5" drive bay to dual 2.5" SATA HDD trays
IPC-DT-5230E	Mobile rack for converting dual 5.25" drive bays to three 2.5" or 3.5" SATA HDD trays

Vertrieb durch 

AMC – Analytik & Messtechnik GmbH Chemnitz

Heinrich-Lorenz-Str. 55 Tel.: +49/371/38388-0
 09120 Chemnitz Fax: +49/371/38388-99
 E-Mail: info@amc-systeme.de Web: www.amc-systeme.de