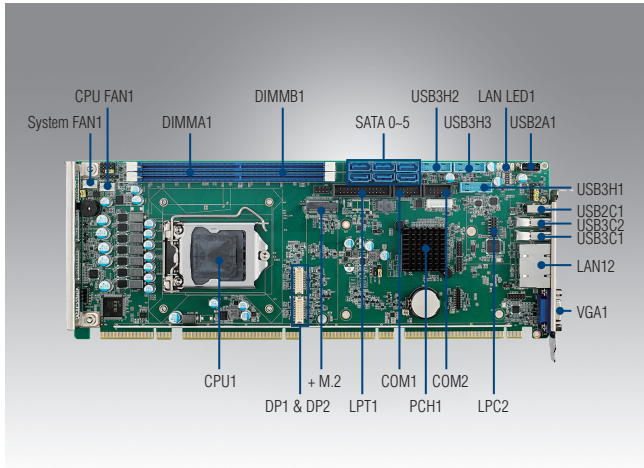


PCE-7132

LGA1200 10th Generation Intel® Xeon® W/Core™ i9/i7/i5/i3/Pentium® System Host Board with DDR4, SATA 3.0, USB 3.2, M.2, Dual GbE, and Triple Displays



Quiet Specifications

CE FCC

Features

- Intel® Xeon® W Family/Core™ i9/i7/i5/i3 LGA1200 processor with W480E chipset
- Up to 64 GB of dual-channel (non-ECC) DDR4 2666/2933 MHz
- PCIe 3.0, M.2, USB 3.2, SATA 3.0, and SW Raid 0, 1, 5, 10
- Supports VGA and 2 x DVI-D/DP display (with optional cable)
- Supports out-of-band remote management with AMT
- Supports Advantech's LPC modules, SUSI 4.0, and embedded software APIs

Vertrieb durch



AMC – Analytik & Messtechnik GmbH Chemnitz

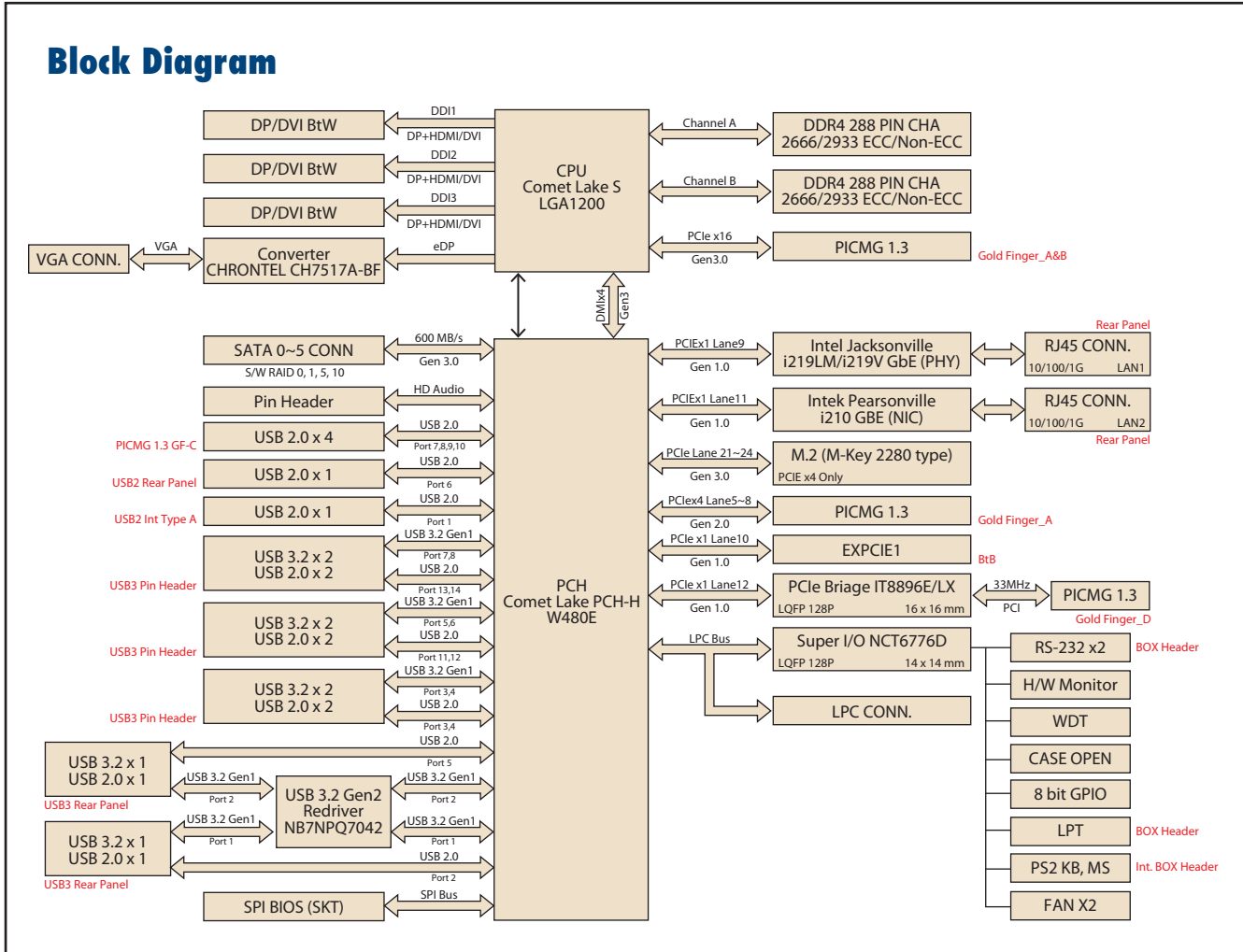
Heinrich-Lorenz-Str. 55 Tel.: +49/371/38388-0
 09120 Chemnitz Fax: +49/371/38388-99
 E-Mail: info@amc-systeme.de Web: www.amc-systeme.de

| | | | | | | | | | | | |
|--------------------|-------------------------|--|-----------|------------|-----------|------------|----------|-----------|------------|--|-----------|
| Processor System | CPU | W-1290E | W-1290TE | W-1270E | W-1270TE | W-1250E | W-1250TE | I9-10900E | I9-10900TE | I7-10700TE | I7-10700E |
| | Speed | 3.50GHz | 1.80GHz | 3.40GHz | 2.00GHz | 3.50GHz | 2.40GHz | 2.80GHz | 1.80GHz | 2.00GHz | 2.90GHz |
| | L3 Cache | 20MB | 20MB | 16MB | 16MB | 12MB | 12MB | 20MB | 20MB | 16MB | 16MB |
| | Cores | 10 | 10 | 8 | 8 | 6 | 6 | 10 | 10 | 8 | 8 |
| | TDP | 95W | 35W | 80W | 35W | 80W | 35W | 65W | 35W | 35W | 65W |
| | SKU/Chipset | Intel® W480E | | | | | | | | | |
| | BIOS | AMI® SPI Flash 256 Mbit | | | | | | | | | |
| Processor System | CPU | I5-10500E | I5-10500E | I5-10500TE | I3-10100E | I3-10100TE | | | | | |
| | Speed | 3.10GHz | 3.10GHz | 2.30GHz | 3.60 GHz | 2.30GHz | | | | | |
| | L3 Cache | 12MB | 12MB | 12MB | 6MB | 6MB | | | | | |
| | Cores | 6 | 6 | 6 | 4 | 4 | | | | | |
| | TDP | 65 W | 65W | 35W | 65W | 35W | | | | | |
| | SKU/Chipset | Intel® W480E | | | | | | | | | |
| | BIOS | AMI® SPI Flash 256 Mbit | | | | | | | | | |
| Bus | PCI-Express | 1 x PCIe x16/2 x PCIe x8 and 1 x PCIe x4 to backplane | | | | | | | | | |
| | PCI | 4 x PCI master to backplane, 32-bit, 33 MHz | | | | | | | | | |
| Memory | Technology | Dual-channel (non-ECC) U-DIMM DDR4 2666/2933 MHz (supports x8 DDR4 1024 M) (Note: Intel ECC-supported processor must be selected to enable ECC function) | | | | | | | | | |
| | Max. Capacity | Up to 64GB (based on CPU) | | | | | | | | | |
| | Socket | 2 x DDR4 288-pin DIMM | | | | | | | | | |
| Graphics | Controller | Chipset integrated with Intel® HD Graphics | | | | | | | | | |
| | VRAM | Shared system memory is subject to OS | | | | | | | | | |
| | VGA | Supports resolutions of up to 2048 x 1152 pixel @ 60 MHz | | | | | | | | | |
| | DVI-D | Supports resolutions of up to 1920x 1200 @ 60 MHz | | | | | | | | | |
| | Display Port | Supports resolutions of up to 4096 x 2160 @ 60 MHz | | | | | | | | | |
| Ethernet | Triple Display | VGA+DP/DVI-D+DP/DVI-D | | | | | | | | | |
| | Interface | 10/100/1000 Mbps | | | | | | | | | |
| Rear I/O | Controller | LAN 1: Intel® I219-LM LAN 2: Intel® I210-AT | | | | | | | | | |
| | Connector with LED | 2 x RJ45 | | | | | | | | | |
| | USB 3.2 Gen2 | 2 | | | | | | | | | |
| | USB2.0 | 1 | | | | | | | | | |
| | Ethernet | 2 | | | | | | | | | |
| Internal Connector | VGA | 1 | | | | | | | | | |
| | USB | 5 x USB 2.0 (1 USB Type A + 4 on backplane) | | | | | | | | | |
| | SATA (SW Raid 0,1,5,10) | 6 | | | | | | | | | |
| | M.2 (2280 Type M) | 1 (PCIe x4) | | | | | | | | | |
| | DP/DVI-D | 2 (Pin header) | | | | | | | | | |
| | COM | 2 | | | | | | | | | |
| | Parallel | 1 | | | | | | | | | |
| | IrDA | 1 | | | | | | | | | |
| | GPIO | 8bit | | | | | | | | | |
| Watchdog Timer | Output | System reset | | | | | | | | | |
| | Interval | Programmable 1-255 sec | | | | | | | | | |
| Miscellaneous | Audio | Intel® High Definition audio interface (requires audio extension module PCA-AUDIO-HDB1E) | | | | | | | | | |
| Power Requirement | Test Environment | Intel W-1290E, Memory 2* DDR4 2666U 32GB | | | | | | | | | |
| | Voltage | +3.3V, +5V, +12V | | | | | | | | | |
| | Current | 1.15A, 1.54A, 1.38A | | | | | | | | | |
| Environment | Operating | | | | | | | | | Non-Operating | |
| | Temperature | 0 - 60 °C (dependent on CPU and cooler solution) | | | | | | | | -40 - 85 °C | |
| | Humidity | 40 °C @ 85% relative humidity (non-condensing) | | | | | | | | 60 °C @ 95% relative humidity (non-condensing) | |
| Physical | Dimensions (L x H) | 338 x 122 mm (13.3" x 4.8") | | | | | | | | | |



ADVANTECH iAutomation
Premier Partner

Block Diagram



Ordering Information

| Part Number | PCH | Memory | Backplane | LAN | VGA | DP/DVI-D | COM | SATA III | M.2 | USB 2.0 | USB 3.1 (Gen1) | USB3.1 (Gen2) | S/W Raid | AMT |
|-----------------|-------|-------------|----------------------|-----|-----|----------|-----|----------|-----|---------|----------------|---------------|----------|-----|
| PCE-7132G2-00A1 | W480E | ECC/Non-ECC | PCE-5BXX PCE-7BXX | 2 | Yes | 2* | 2 | 6 | 1 | 6 | 6 | 2 | Yes | Yes |

Note: DP/DVI-D cable is optional

Packing List

| Part Number | Description | Quantity |
|-------------|-------------------------------|----------|
| 1700003194 | Serial ATA HDD data cable | x2 |
| 1701260305 | COM + printer ports cable kit | x1 |
| 2190000902 | Warranty card | x1 |
| 2041513200 | Startup manual | x1 |

Optional Accessories

| Part Number | Description |
|------------------|--|
| 1960049408N001 | CPU cooler for 1U Chassis and 84W TDP |
| 1960050255N001 | CPU cooler for 2U Chassis and 95W TDP |
| 1960052651N021 | CPU cooler for 2U/4U Chassis and 80W TDP |
| PCA-AUDIO-HDB1E | Audio module |
| PCA-COM232-00A1E | 4-port RS-232 LPC module |
| PCA-COM485-00A1E | 4-port RS-422/485 LPC module |
| 1700002204 | 2-port USB2.0 cable w/BKT (27 cm) |
| 1700020277-01 | 2-port USB 3.0 cable w/ BKT (30 cm) |
| 1700031719-01 | 4-port USB 3.0 cable w/ BRK (30 cm) |
| 1700021831-01 | DP to DVI-D cable w/ BKT |
| PCE-DP10-00A1E | DP to DP cable w/ BKT |
| PCA-TPM-00B1E | TPM 2.0 module |
| PCE-SA01-00A1E | Extension Stack Board |

* for PCE-7132/5132/5032, PCE-SA01-00A1E miniPCIe only support PCIe x1 signal

I/O View



PCE-7132G2-00A1