

PCM-26D2CA

2-Port Isolated CANBus mPCIe, CANopen, DB9

NEW



iDoor CANopen RoHS COMPLIANT 2002/95/EC CE FCC

Features

- Meets Advantech iDoor technology standard
- PCI Express® Mini card specification revision 1.2 compliant
- Supports Advantech CANopen protocol library
- Operates two separated CAN networks simultaneously
- High speed transmission up to 1 Mbps
- I/O address automatically assigned by PCIe plug & play
- Supports Win 10, Linux Ubuntu 18.04 and latest
- Optical isolation protection of 2,500 V_{DC} ensures system reliability
- Includes Windows® DLL library and examples

Vertrieb durch



AMC – Analytik & Messtechnik GmbH Chemnitz

Heinrich-Lorenz-Str. 55 Tel.: +49/371/38388-0
 09120 Chemnitz Fax: +49/371/38388-99
 E-Mail: info@amc-systeme.de Web: www.amc-systeme.de

Introduction

The PCM-26 series are Industrial Communication with Fieldbus Protocol modules from Advantech iDoor Technology. They are all compatible with the PCI Express® Mini Card Specification Revision 1.2, including including isolated / non-isolated RS-232/422/485 communication cards for automation control, Wi-Fi/3G/GPS/GSM/LTE wireless communication models for data exchange for management and machine level automation applications; ZigBee module serves as an IoT terminal or controller and PoE function for smart cameras in detection-inspection-production applications. This is a flexible design that enables customers to customize their features with iDoor Technology.

Specifications

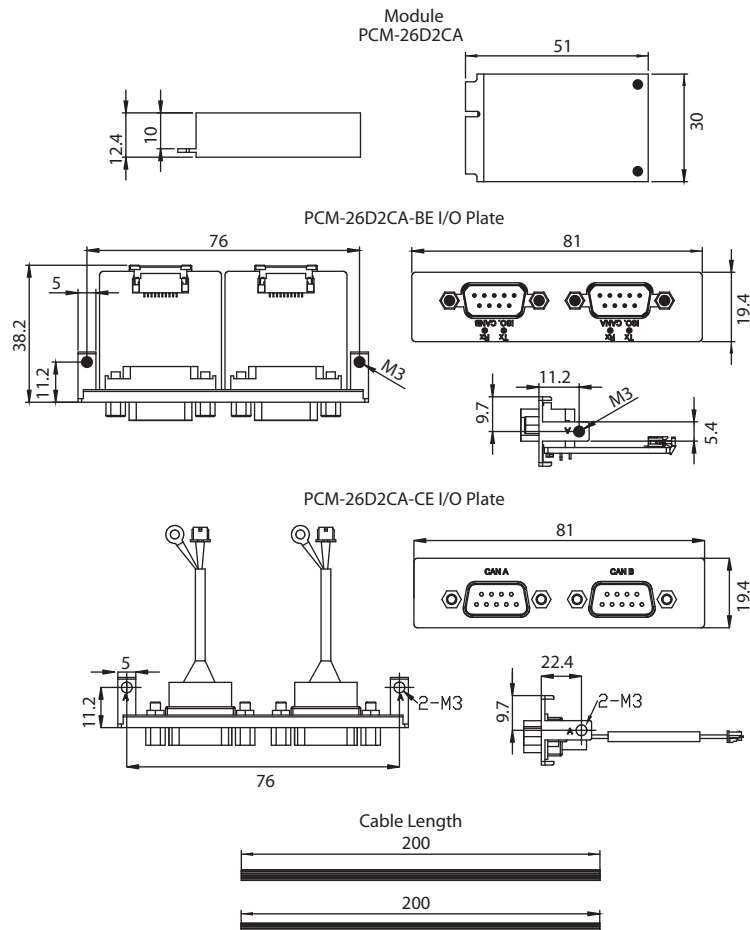
| | | PCM-26D2CA-BE | PCM-26D2CA-CE |
|-----------------------|-----------------------|--|--|
| General | Bus Type | PCI Express Mini Card Revision 1.2 | USB 2.0 |
| | Certification | CE, FCC class A | |
| | Connectors | 2 x Male DB9 | |
| | Dimensions | Module: 51 x 30 x 12.4 mm (2" x 1.18" x 0.49") | |
| | Power Consumption | Typical : +5V @ 400 mA | |
| Communications | CAN Controller | NXP SJA-1000 | - |
| | CAN Transceiver | NXP 82C25 | - |
| | Protocol | CAN 2.0 A/B | |
| | Signal Support | CAN_H, CAN_L | |
| | Speed | 1Mbps | 1Mbps with throughput 600KHz |
| | CAN Frequency | 16MHz | 24MHz |
| | Termination Resistor | 120 Ohm (selected by jumper) | |
| Protection | Isolation Protection | 2,500 V | |
| | ESD Protection | 15 KV | |
| | EFT Protection | 2,500 V | - |
| | Surge Protection | 1,000 V _{DC} | - |
| Software | CAN Bus Driver | Windows 2000/XP/Vista/7, Windows CE 5/6, Linux Ubuntu 12.10, QNX 6.5 | Win 10, Linux Ubuntu 18.04, 20.04 and latest |
| Environment | Humidity (Operating) | 5-95% RH, non-condensing | |
| | Operating Temperature | -20 ~ 60°C (-4 ~ 140°F) | |
| | Storage Temperature | -40 ~ 85°C (-40 ~ 185°F) | |



ADVANTECH iAutomation
Premier Partner

Dimensions

Unit: mm



Ordering Information

- **PCM-26D2CA-BE** SJA1000 CANBus, CANopen, DB9 x 2,
- **PCM-26D2CA-CE** USB CANBus, CANopen, DB9 x 2