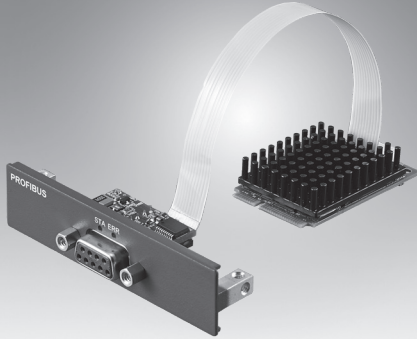


PCM-26D1DB

1-Port Hilscher netX100 FieldBus mPCIe, PROFIBUS, DB9

NEW



Features

- Meets Advantech iDoor technology standard
- PCI ExpressR Mini card specification revision 1.2 compliant
- Supports Hilscher PROFIBUS protocol library
- Easy integration by wide range of device drivers
- High extended temperature range up to 70°C
- Compatible with embedded automation PC UNO-1/2/3/4 series

Vertrieb durch



AMC – Analytik & Messtechnik GmbH Chemnitz

Heinrich-Lorenz-Str. 55 Tel.: +49/371/38388-0
09120 Chemnitz Fax: +49/371/38388-99
E-Mail: info@amc-systeme.de Web: www.amc-systeme.de

Introduction

The PCM-26R2 and PCM-26D1DB series are industrial communication modules supporting Fieldbus protocols. They are all compatible with the PCI Express® Mini Card Specification Revision 1.2 and support EtherCAT, EtherNet/IP, PROFINET, or PROFIBUS protocols, designed by Hilscher. Hilscher is a German company specializing in industrial communication and automation technology.

This is a flexible design that enables customers to customize their features with iDoor Technology.

Specifications

General

- Bus Type** PCI Express Mini Card Revision 1.2
- Certification** CE, UL
- Connectors** 1 x Female DB9
- Dimensions** Module: 51 x 30 x 12.4mm (2" x 1.18" x 0.49")
I/O Plate: 81 x 19.4 x 41mm (3.19" x 0.76" x 1.61")
- Power Consumption** Typical : +3.3 V @ 650mA

Communications

- Controller** Hilscher netX100
- Protocol** PROFIBUS DP V1
- Signal interface** Iso. RS-485, RxD/TxD-P, RxD/TxD-N
- Speed** 9.6 kbps ~ 12 Mbps
- Displays** SYS, System status LED

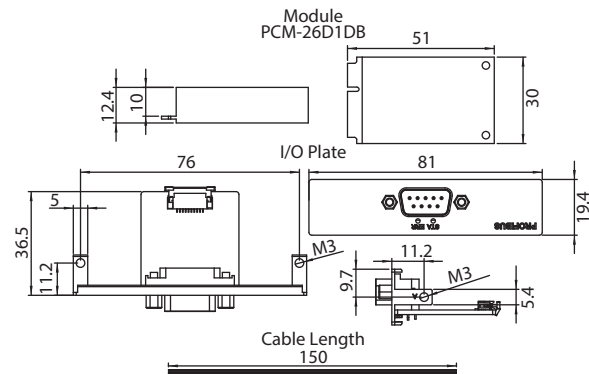
Software

- OS Device** Microsoft® Windows® 7/10, Linux
- Utility** SYCON.net

Environment

- Humidity (Operating)** 10-95% RH, non-condensing
- Operating Temperature** -20 ~ 70°C (-4 ~ 158°F), w/ Air flow during measurement: 0,5 m/s
- Storage Temperature** -10 ~ 70°C (14 ~ 158°F)

Dimensions



Ordering Information

Client

- PCM-26D1DB-MAE / PCM-26D1DB-MBE** Hilscher netX100 FieldBus mPCIe, PROFIBUS, DB9 x 1, Client

Server

- PCM-26D1DB-SAE / PCM-26D1DB-SBE** Hilscher netX100 FieldBus mPCIe, PROFIBUS, DB9 x 1, Server