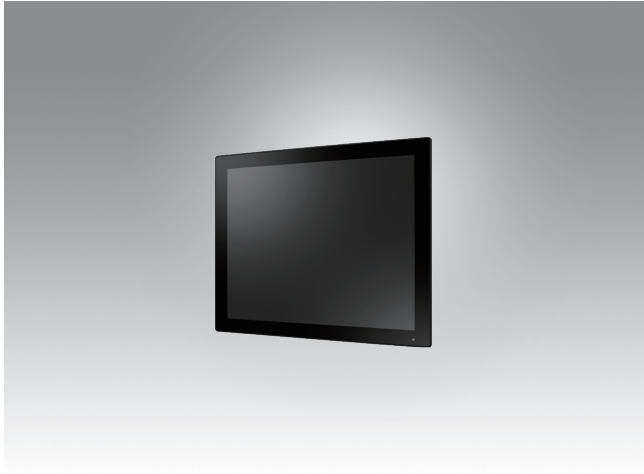


PPC-310S RPL

PPC-312S RPL

PPC-312SW RPL

10.4"/12.1" Fanless Panel PC with Intel® 13th Gen Core™ i7/i5/i3 Processor



Features

- True-flat touchscreen with Industrial-grade LCD panel
- High-performance, fanless 13th generation Intel® Core™ i processor
- Slim Compact, fanless design with aluminum alloy enclosure
- IP66-rated front panel
- Supports dual displays (1 x external DP)
- 1 x M.2 M Key 2280 (SATA or NVMe PCIe x 4) for storage, support SATA RAID 0,1
- 2 x 2500BASE-T Ethernet Supports Time-Sensitive Network(TSN) technology
- Supports VESA 75
- Support TPM2.0 hardware security (on board as default)
- Support iDoor
- Support PCI or PCIe

Vertrieb durch 

AMC – Analytik & Messtechnik GmbH Chemnitz

Heinrich-Lorenz-Str. 55 Tel.: +49/371/38388-0
 09120 Chemnitz Fax: +49/371/38388-99
 E-Mail: info@amc-systeme.de Web: www.amc-systeme.de



Introduction

PPC-300S RPL equipped Intel 13th Gen Core i7/i5/i3, providing high computing performance with a slim & compact design and robust aluminum alloy enclosure. It also leverages M.2 M key NVMe PCIe to accommodate extremely high data rate and low latency advantage. PPC-300S RPL features 4 x USB, 2 x series ports and 1 x DP for flexible access and connection. The addition optional of PCIe/PCI slots or iDoor for fieldbus or proprietary card extensions increases the compatibility of the system for various applications. The PPC-300S RPL series is an excellent solution to enable quick data capture, processing and data digitalization in various industrial applications.

Specifications

System	CPU	i3-1315UE/i5-1335UE/i7-1365UE
	Core	6/10/10
	Frequency	1.20 GHz upto 4.5GHz with Turbo/1.30 GHz upto 4.5GHz with Turbo/1.70 GHz upto 4.9GHz with Turbo
	Cache	10 MB/12 MB/12 MB
	Memory	1 x SODIMM, DDR5 4800MHz, max. 32GB
	Storage	1 x 2.5" SATA bay (optional) 1 x M.2 M Key 2280 (SATA or NVMe PCIe x 4), support SATA RAID 0,1
	Network (LAN)	2 x 10/100/1000/2500 Mbps Ethernet (Intel I226 LM)
	I/O	2 x RS-232/422/485 3 x USB3.2, 1 x USB2.0 2 x USB2.0 (optional) 1 x DP
	Expansion	1 x M.2 B key 2242 or 3042/3052 (PCIe x1, USB 3.0 & SIM slot), support iDoor & 4G, and 5G by request 1 x M.2 E Key 2230 (PCIe & USB 2.0) 1 x iDoor (optional) 1 x PCI or PCIe x1 (optional)*
	Security	1 x TPM2.0 (on board as default)
Watchdog Timer	255 timer levels; setup by software	
Speaker	1 x 2W	

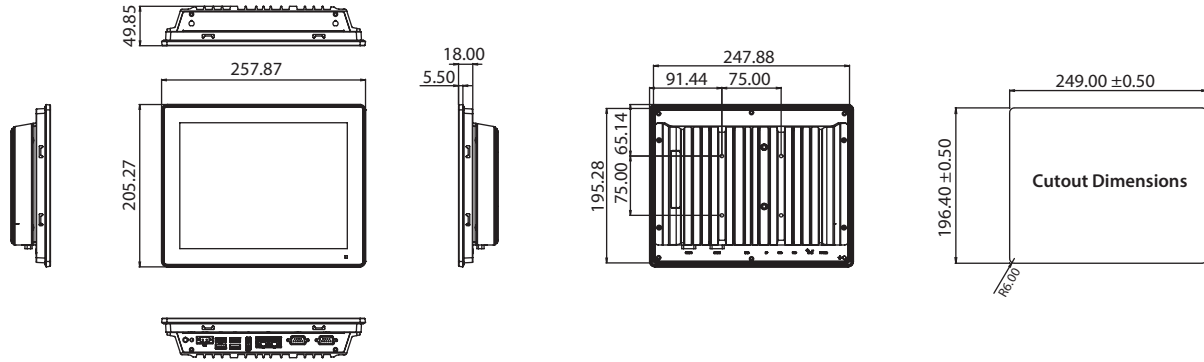
Model	PPC-310S	PPC-312S	PPC-312SW
LCD	Display Type	10.4" TFT LCD (LED backlight)	12.1" TFT LCD (LED backlight)
	Aspect Ratio	4:3	4:3
	Max. Resolution	1024 x 768	1024 x 768
	Viewing Angle	88 (left), 88 (right), 88 (up), 88 (down)	89 (left), 89 (right), 89 (up), 89 (down)
	Luminance (cd/m ²)	500	500
	Contrast Ratio	1000	1000
	Backlight Lifetime	50,000 hr (min.)	30,000 hr (min.)
Touchscreen	Touchscreen type	5 wire resistive touch or P-CAP	5 wire resistive touch
	Light Transmission	80±5%	80±5%
	Controller	USB interface	P-CAP
Physical Characteristics	Dimensions	257.9 x 205.3 x 49.9 mm (10.2 x 8.1 x 2.0 in)	295.3 x 233.8 x 49.9 mm (11.6 x 9.2 x 2.0 in)
	Weight	2.46kg (5.42lb)	2.79 kg(6.15 lb)
OS Support	OS Support	Windows 10 LTSC, Windows 11, Linux	
Power Consumption	Input Voltage	24V _{DC} ± 30%	
	Power Consumption	65W	70W
Environment	Operating Temperature	-10 ~ 50 °C (32 ~ 122 °F)	
	Storage Temperature	-20 ~ 60 °C (-4 ~ 140 °F)	-40 ~ 60 °C (-40 ~ 140 °F)
	Relative Humidity	10 ~ 95% @ 40 °C (Non-Condensing)	
	Shock	Operating 10 G Peak Acceleration (11 ms Duration), Follows IEC 60068-2-27	
	Vibration	Operating Random Vibration Test 5-500Hz.; 2Grms @with SSD, Follows IEC 60068-2-64	
	EMC	CE,FCC Class B, BSMI, EN60601-1-2, UKCA	
	Safety	CB,UL,CCC,UKCA	
	Front Panel Protection	IP66 compliant	



Dimensions

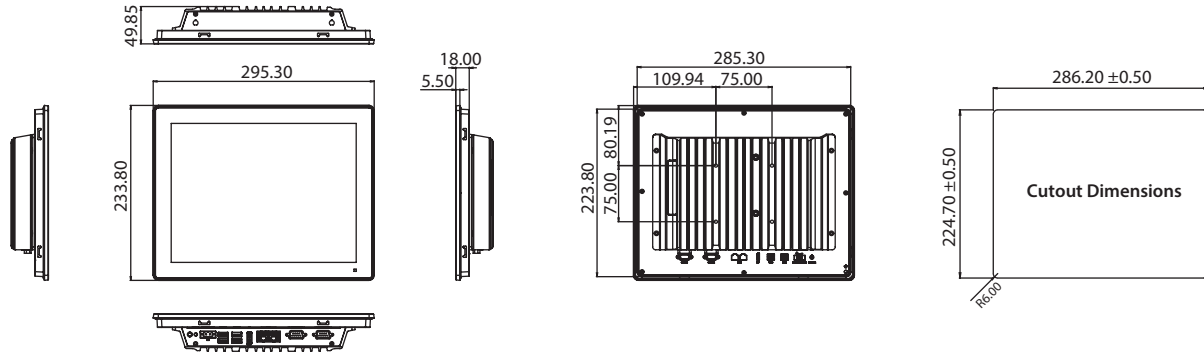
Unit: mm

PPC-310S



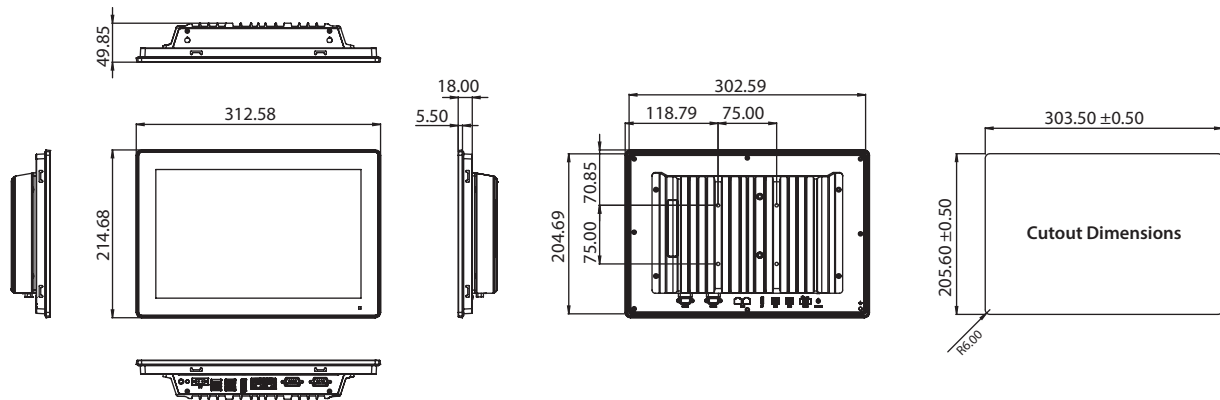
Panel Cutout Dimensions: 249 x 196.4 mm (9.81 x 7.74 in)

PPC-312S



Panel Cutout Dimensions: 286.2 x 224.7 mm (11.27 x 8.85 in)

PPC-312SW

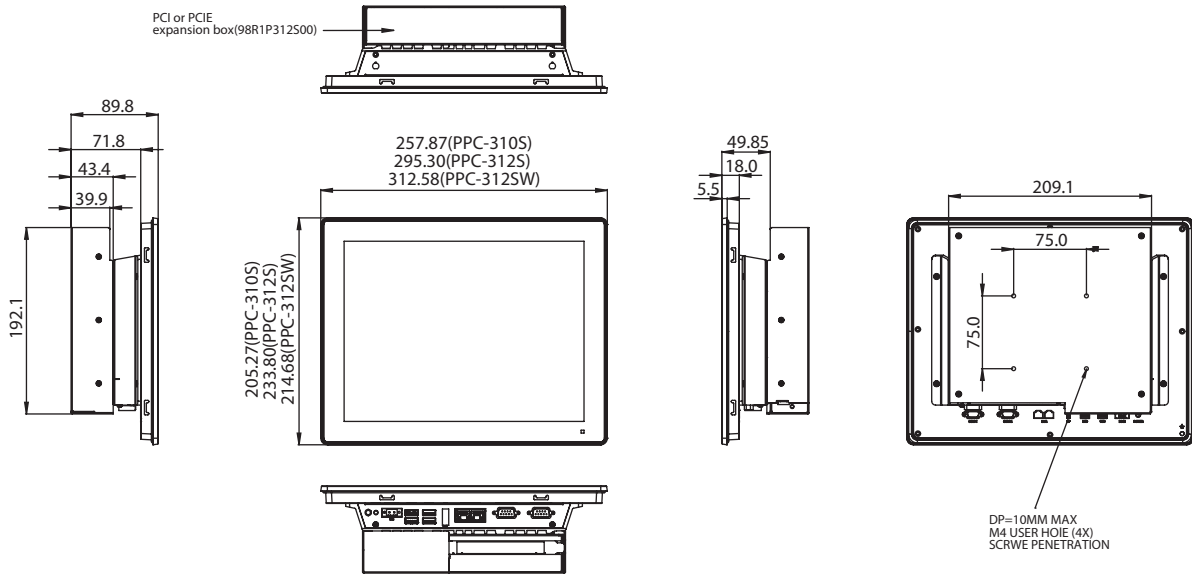


Panel Cutout Dimensions: 303.5 x 205.6 mm (12.39 x 8.09 in)

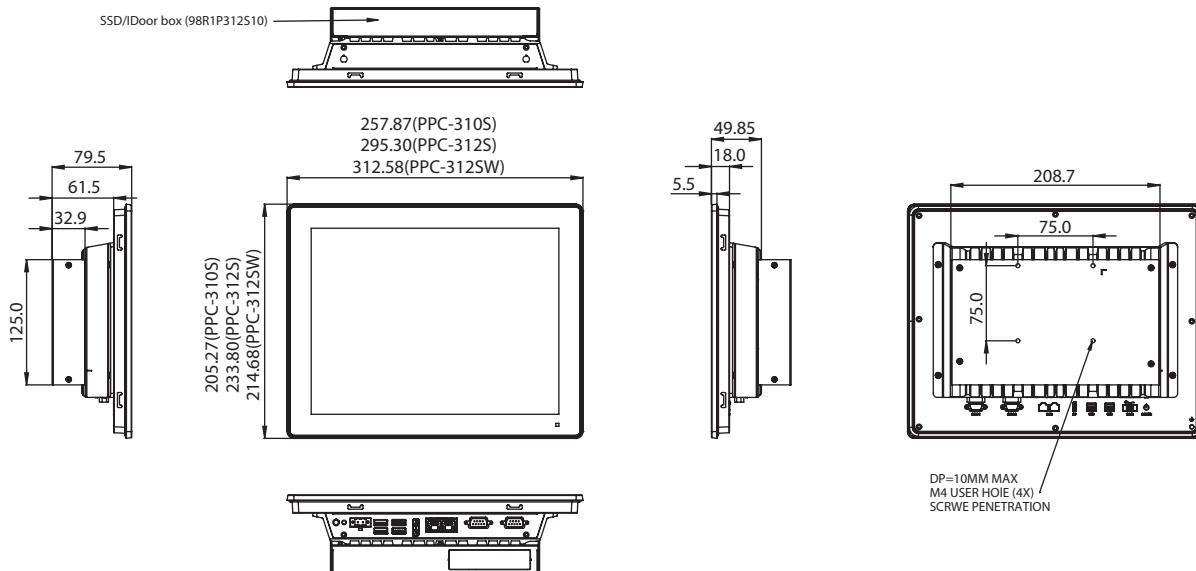
Dimensions

Unit: mm

PPC-310S/312S(W) with PCI or PCIe Expansion Box (98R1P312500)



PPC-310S/312S(W) with SSD&iDoor Expansion Box (98R1P312510)



Ordering Information

Part Number	Description
PPC-310S-RDI3A	10.4" PPC w/Intel i3-1315UE, Res.
PPC-310S-RDI5A	10.4" PPC w/Intel i5-1335UE, Res.
PPC-310S-RDI7A	10.4" PPC w/Intel i7-1365UE, Res.
PPC-310S-PDI5A	10.4" PPC w/Intel i5-1335UE, P-Cap
PPC-312S-RDI3A	12.1" PPC w/Intel i3-1315UE, Res.
PPC-312S-RDI5A	12.1" PPC w/Intel i5-1335UE, Res.
PPC-312S-RDI7A	12.1" PPC w/Intel i7-1365UE, Res.
PPC-312SW-PDI5A	12.1" PPC w/Intel i5-1335UE, P-Cap, wide screen
96PSA-A120W24T2-4	Power adapter 100-240V 120W 24V
1702002600	Power Cable UL/CSA (USA) 180D 125V10A 1.83M
1702002605	Power Cable 90D 220V EUROPEAN 250V/6A 1.8M
1700000237	Power Cord PSE 3P 12A 125V 183cm
96CB-POWER-B-1.8MA	Power code 3P CCC(China) 1.8M
PPC-174T-WL-MTE	Wall mount kit for PPC series
PPC-STAND-A1E	Stand for PPC series
PPC-ARM-A03	ARM VESA Standard for PPC series
PPC-WLAN-D2	M.2, WiFi6 +BT5.2, 2T2R, w/Antenna
98R3P300010	PPC-300 RFID, Read only 13.56MHz&125k
98R1P312S00	Add-on box for PCI or PCIe expansion (include PCI / PCIe riser card)*
98R1P312S10	Add-on box for SSD & idoor expansion**

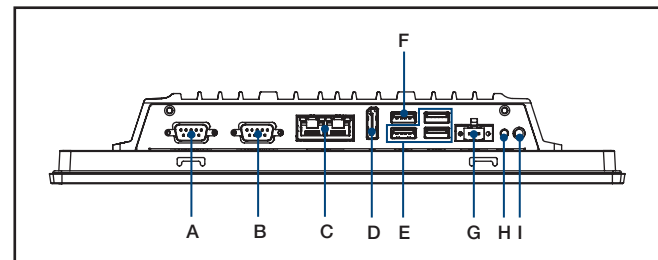
* PCIe riser card supports PCIe x1 singal, but the slot is PCIe x4(PCle x1 compatible).

** iDOOR, additional ports or 2.5" SATA bay can't be installed in the same time since they share the same space

Support iDoor Modules

Part Number	Description
PCM-34R1TP-AE	1 port Gigabit Ethernet, Intel® I225, 2.5Gb/s, TSN
PCM-34R2GL-AE	2 ports Gigabit Ethernet, Intel® I350
PCM-34D2R4-AE	2 ports Isolated RS-422/485, DB9
PCM-34D2R2-AE	2 ports Isolated RS-232, DB9
PCM-34D4R4-AE	4 ports non-isolated RS-422/485, DB37 cable
PCM-34D4R2-AE	4 ports non-isolated RS-232, DB37 cable
PCM-37D24DI-AE	4 channels isolated digital I/O with counter, DB37
PCM-23C1CF-BE	1 slot Cfast iDoor for CFast

I/O View



- A. COM1: RS-232/422/485
- B. COM2: RS-232/422/485
- C. 2 x LAN
- D. DP
- E. 3 x USB 3.2

- F. 1 x USB 2.0
- G. DC-In
- H. Power Button
- I. Pre cut hole for power button cable extend

Vertrieb durch **AMC**

AMC – Analytik & Messtechnik GmbH Chemnitz

Heinrich-Lorenz-Str. 55 Tel.: +49/371/38388-0
 09120 Chemnitz Fax: +49/371/38388-99
 E-Mail: info@amc-systeme.de Web: www.amc-systeme.de