

PPC-315S RPL
PPC-315SW RPL
PPC-317S RPL
PPC-318SW RPL
PPC-319S RPL
PPC-321SW RPL

15"/ 15.6"/17"/18.5"/ 19"/21.5" Fanless Panel PC with Intel® 13th Gen Core™ i7/i5/i3 Processor



Features

- True-flat touchscreen with Industrial-grade LCD panel
- High-performance, fanless 13th generation Intel® Core™ i processor
- Slim Compact, fanless design with aluminum alloy enclosure
- IP66-rated front panel
- Supports dual displays (1 x external DP)
- 1 x M.2 M Key 2280 (SATA or NVME PCIe x 4) for storage, support SATA RAID 0,1
- 2 x 2500BASE-T Ethernet Supports Time-Sensitive Network(TSN) technology
- Supports VESA 75
- Support TPM2.0 hardware security (on board as default)
- Support iDoor
- Support PCI or PCIe

Vertrieb durch 

AMC – Analytik & Messtechnik GmbH Chemnitz
 Heinrich-Lorenz-Str. 55 Tel.: +49/371/38388-0
 09120 Chemnitz Fax: +49/371/38388-99
 E-Mail: info@amc-systeme.de Web: www.amc-systeme.de

Introduction

PPC-300S(W) RPL equipped Intel 13th Gen Core i7/i5/i3, providing high computing performance with a slim & compact design and robust aluminum alloy enclosure. It also leverages M.2 M key NVMe PCIe to accommodate extremely high data rate and low latency advantage. PPC-300S(W) RPL features 4 x USB, 2 x series ports and 1 x DP for flexible access and connection. The addition optional of PCIe/PCI slots or idoor for fieldbus or proprietary card extensions increases the compatibility of the system for various applications. The PPC-300S(W) RPL series is an excellent solution to enable quick data capture, processing and data digitalization in various industrial applications.

Specifications

System	CPU	i3-1315UE/i5-1335UE/i7-1365UE
	Core	6/10/10
	Frequency	1.20 GHz upto 4.5GHz with Turbo/1.30 GHz upto 4.5GHz with Turbo/1.70 GHz upto 4.9GHz with Turbo
	Cache	10 MB/12 MB/12 MB
	Memory	1 x SODIMM, DDR5 4800MHz, max. 32GB
	Storage	1 x 2.5" SATA bay 1 x M.2 M Key 2280 (SATA or NVME PCIe x 4), support SATA RAID 0,1
	Network (LAN)	2 x 10/100/1000/2500 Mbps Ethernet (Intel I226 LM)
	I/O	2 x RS-232/422/485 3 x USB3.2, 1 x USB2.0 2 x USB2.0 (optional) 1 x DP 1 x line out
	Expansion	1 x M.2 B key 2242 or 3042/3052 (PCIe x1, USB 3.0 & SIM slot), support idoor & 4G, and 5G by request 1 x M.2 E Key 2230 (PCIe & USB 2.0) 1 x iDoor (optional) 1 x PCI or PCIe x1 (optional)
	Security	1 x TPM2.0 (on board as default)
Watchdog Timer	255 timer levels; setup by software	
Speaker	1 x 2W	

Model	PPC-315S RPL	PPC-315SW RPL	PPC-317S RPL	PPC-318SW RPL	PPC-319S RPL	PPC-321SW RPL	
LCD	Display Type	15" TFT LCD (LED backlight)	15.6" TFT LCD (LED backlight)	17" TFT LCD (LED backlight)	18.5" TFT LCD (LED backlight)	21.5" TFT LCD (LED backlight)	
	Max. Resolution	1024 x 768	1920 x 1080	1280 x 1024	1366 x 768	1280 x 1024	
	Viewing Angle	88 (left), 88 (right), 88 (up), 88 (down)	89 (left), 89 (right), 89 (up), 89 (down)	89 (left), 89 (right), 89 (up), 89 (down)	85 (left), 85 (right), 80 (up), 80 (down)	89 (left), 89 (right), 89 (up), 89 (down)	89 (left), 89 (right), 89 (up), 89 (down)
	Luminance (cd/m²)	300	350	250	450	450	250
	Contrast Ratio	2000	800	1000	1000	1000	1000
	Backlight Lifetime	50,000hrs (min.)					
Touchscreen	Touchscreen type	5 wire resistive touch or Multi-touch projected capacitive					
	Light Transmission	81%±3% (Res) or >86% (P-cap)					
	Controller	USB interface					
Physical Characteristics	Dimensions	359.6 x 283.6 x 50.4 mm (14.1 x 11.2 x 2.0 in)	395.7 x 245.1 x 50.4 mm (15.6 x 9.7 x 2.0 in)	393.4 x 325.8 x 53.4 mm (15.5 x 12.8 x 2.1 in)	464.5 x 285.5 x 53.4 mm (18.3 x 11.2 x 2.1 in)	429.7 x 354.6 x 56.4 mm (16.9 x 13.96 x 2.2 in)	529.6 x 321.3 x 53.4 mm (20.9 x 12.6 x 2.1 in)
	Weight	4.29 kg (9.46 lb)	4.3 kg (9.48 lb)	5.17 kg (11.4 lb)	5.3 kg (11.53 lb)	6.3 kg (13.9 lb)	6.35 kg (13.91 lb)

Vertrieb durch



AMC – Analytik & Messtechnik GmbH Chemnitz

Heinrich-Lorenz-Str. 55 Tel.: +49/371/38388-0
 09120 Chemnitz Fax: +49/371/38388-99
 E-Mail: info@amc-systeme.de Web: www.amc-systeme.de

PPC-315S RPL
PPC-315SW RPL
PPC-317S RPL
PPC-318SW RPL
PPC-319S RPL
PPC-321SW RPL

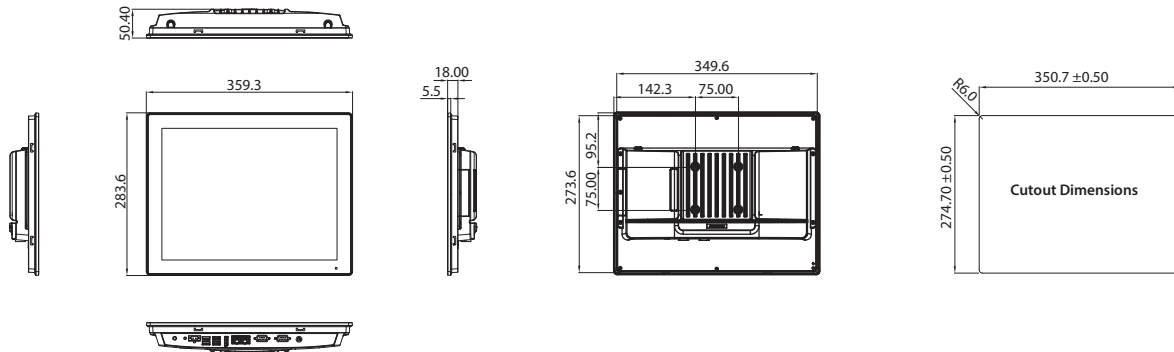
Specifications (Cont.)

OS Support	OS Support	Windows 10 LTSC, Windows 11, Linux					
Power Consumption	Input Voltage	24V _{DC} ± 30%					
	Power Consumption	75W	85W	85W	80W	70W	70W
Environment	Operating Temperature	-10 ~ 50 °C (32 ~ 122 °F)					
	Storage Temperature	-30 ~ 60 °C (-22 ~ 140 °F)	-20 ~ 60 °C (-4 ~ 140 °F)	-20 ~ 60 °C (-4 ~ 140 °F)	-20 ~ 60 °C (-4 ~ 140 °F)	-20 ~ 60 °C (-4 ~ 140 °F)	-20 ~ 60 °C (-4 ~ 140 °F)
	Relative Humidity	95% @ 40 °C (Non-Condensing)					
	Shock	Operating 10 G Peak Acceleration (11 ms Duration), Follows IEC 60068-2-27					
	Vibration	Operating Random Vibration Test 5-500Hz, 2Grms @with SSD, Follows IEC 60068-2-64					
	EMC	CE, FCC Class B, BSMI, EN60601-1-2, UKCA					
	Safety	CB, UL, CCC, UKCA					
Front Panel Protection	IP66 compliant						

Dimensions

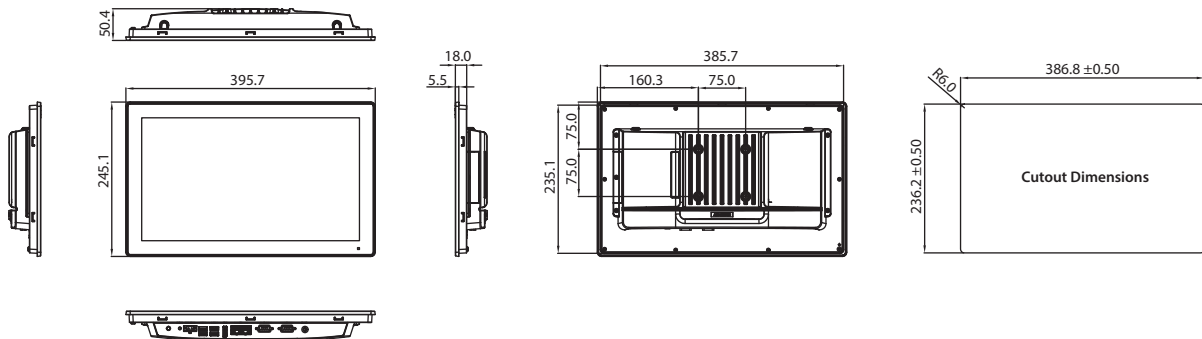
Unit: mm

PPC-315S



Panel Cutout Dimensions: 350.7 x 274.7 mm (13.81 x 10.82 in)

PPC-315SW

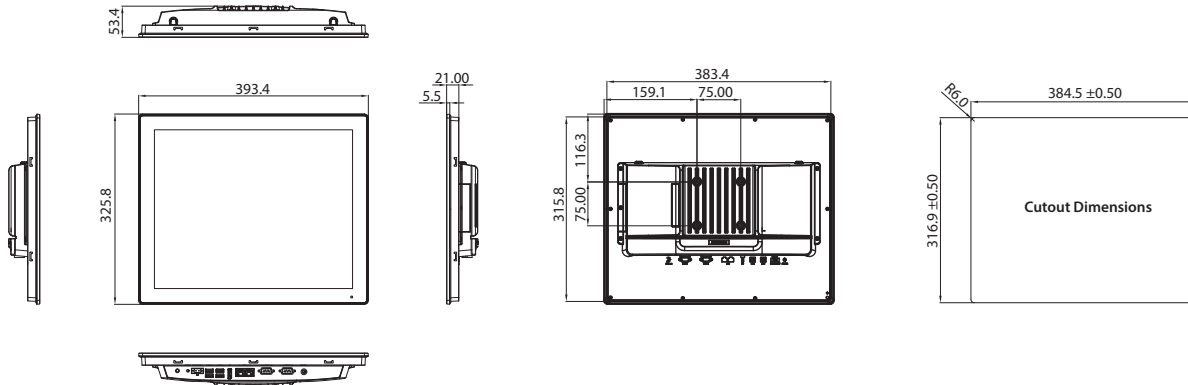


Panel Cutout Dimensions: 386.8 x 236.2 mm (15.23 x 9.30 in)

Dimensions

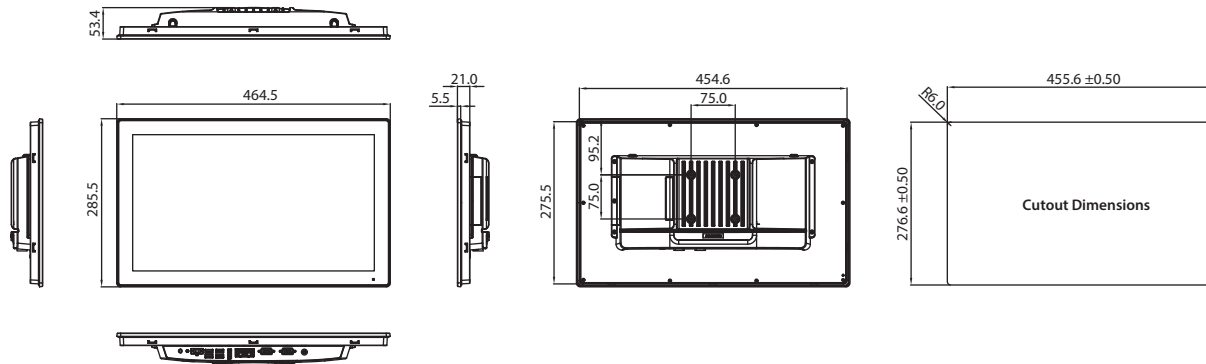
Unit: mm

PPC-317S



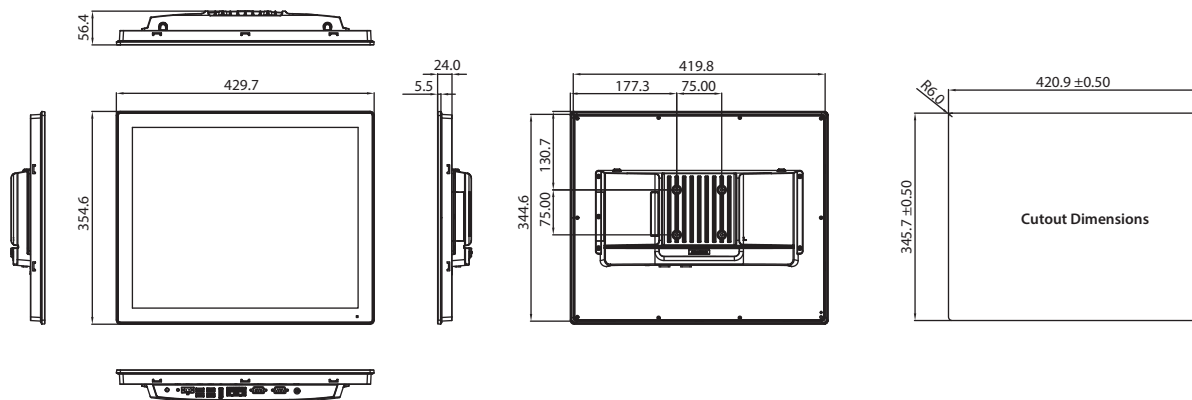
Panel Cutout Dimensions: 384.5 x 316.9 mm (15.14 x 12.48 in)

PPC-318SW



Panel Cutout Dimensions: 455.6 x 276.6 mm (17.94 x 10.89 in)

PPC-319S

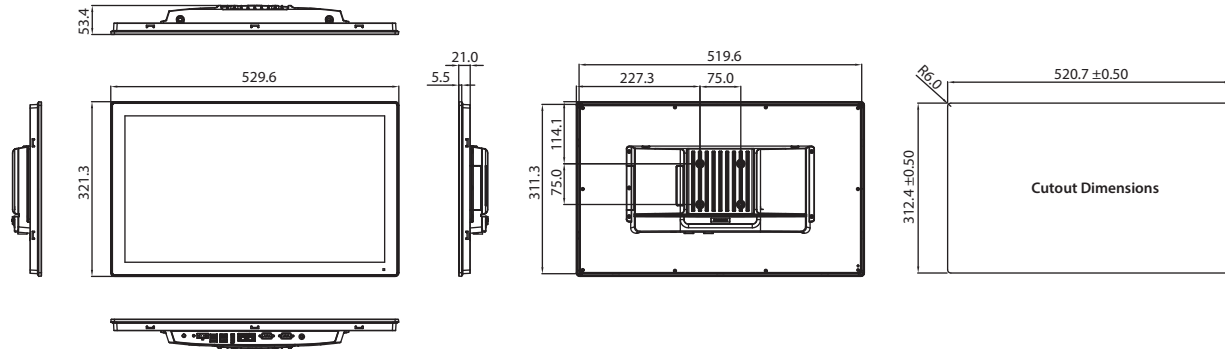


Panel Cutout Dimensions: 420.9 x 345.7 mm (16.57 x 13.61 in)

Dimensions

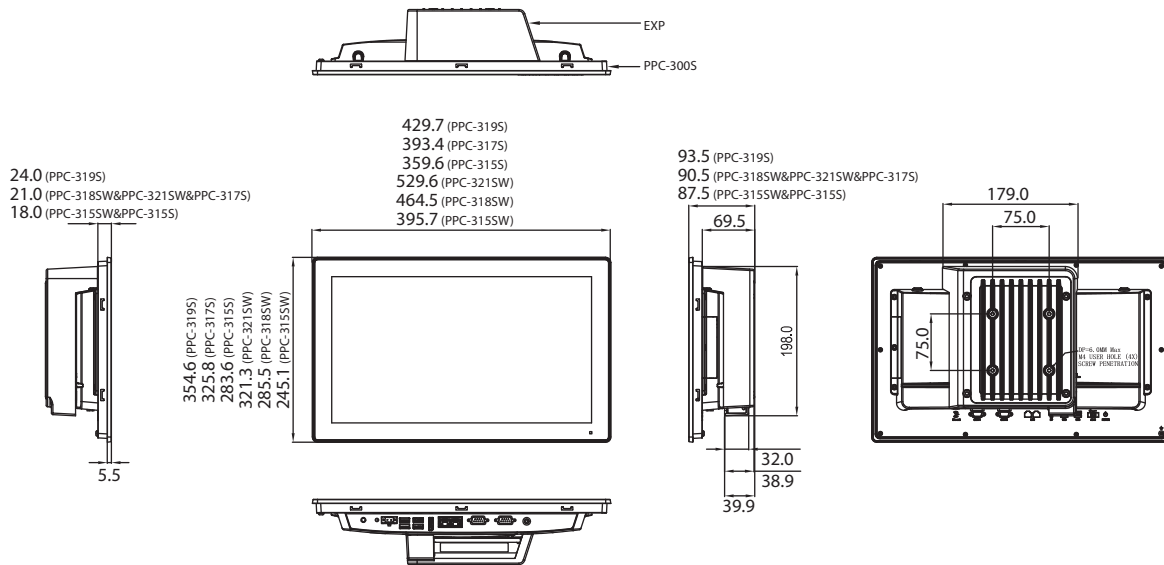
Unit: mm

PC-321SW



Panel Cutout Dimensions: 520.7 x 312.4 mm (20.5 x 12.3 in)

The dimension with the PCI or PCIe expansion box (98R1P300S00)



Ordering Information

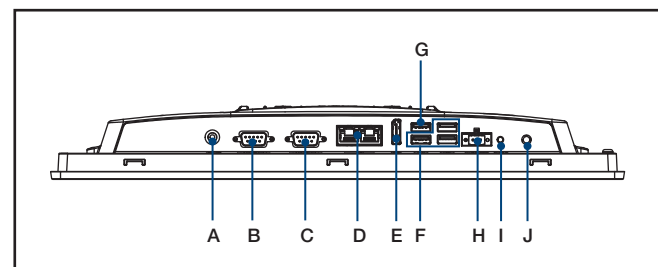
Part Number	Description
PPC-315S-RDI3A	15" PPC w/Intel i3-1315UE, Res.
PPC-315S-RDI5A	15" PPC w/Intel i5-1335UE, Res.
PPC-315S-PDI5A	15" PPC w/Intel i5-1335UE, P-Cap
PPC-315S-RDI7A	15" PPC w/Intel i7-1365UE, Res.
PPC-317S-RDI3A	17" PPC w/Intel i3-1315UE, Res.
PPC-317S-RDI5A	17" PPC w/Intel i5-1335UE, Res.
PPC-317S-PDI5A	17" PPC w/Intel i5-1335UE, P-Cap
PPC-317S-RDI7A	17" PPC w/Intel i7-1365UE, Res.
PPC-319S-RDI3A	19" PPC w/Intel i3-1315UE, Res.
PPC-319S-RDI5A	19" PPC w/Intel i5-1335UE, Res.
PPC-319S-RDI7A	19" PPC w/Intel i7-1365UE, Res.
PPC-319S-PDI5A	19" PPC w/Intel i5-1335UE, P-Cap
PPC-315SW-PDI3A	15.6" PPC w/Intel i3-1315UE, P-Cap
PPC-315SW-PDI5A	15.6" PPC w/Intel i5-1335UE, P-Cap
PPC-315SW-PDI7A	15.6" PPC w/Intel i7-1365UE, P-Cap
PPC-315SW-RDI5A	15.5" PPC w/Intel i5-1335UE, Res.
PPC-318SW-PDI3A	18.5" PPC w/Intel i3-1315UE, P-Cap
PPC-318SW-PDI5A	18.5" PPC w/Intel i5-1335UE, P-Cap
PPC-318SW-PDI7A	18.5" PPC w/Intel i7-1365UE, P-Cap
PPC-318SW-RDI5A	18.5" PPC w/Intel i5-1335UE, Res.
PPC-321SW-PDI3A	21.5" PPC w/Intel i3-1315UE, P-Cap
PPC-321SW-PDI5A	21.5" PPC w/Intel i5-1335UE, P-Cap
PPC-321SW-PDI7A	21.5" PPC w/Intel i7-1365UE, P-Cap
PPC-321SW-RDI5A	21.5" PPC w/Intel i5-1335UE, Res.
96PSA-A120W24T2-4	Power adapter 100-240V 120W 24V
1702002600	Power Cable UL/CSA (USA) 180D 125V10A 1.83M
1702002605	Power Cable 90D 220V EUROPEAN 250V/6A 1.8M
1700000237	Power Cord PSE 3P 12A 125V 183cm
96CB-POWER-B-1.8MA	Power code 3P CCC(China) 1.8M
PPC-174T-WL-MTE	Wall mount kit for PPC series
PPC-STAND-A1E	Stand for PPC series
PPC-ARM-A03	ARM VESA Standard for PPC series
PPC-WLAN-D2	M.2, WiFi6 +BT5.2, 2T2R, w/Antenna
98R3P300010	PPC-300 RFID, Read only 13.56MHz&125k
98R1P300S00	Add-on box for PCI or PCIe expansion (include PCI / PCIe riser card)*
98R1P300S10	Additional ports module (2 x USB 2.0)**

* PCIe riser card supports PCIe x1 single, but the slot is PCIe x4(PCIe x1 compatible).
 ** iDOOR, additional ports or 2.5" SATA bay can't be installed in the same time since they share the same space

Support iDoor Modules

Part Number	Description
PCM-34R1TP-AE	1 port Gigabit Ethernet, Intel® I225, 2.5Gb/s, TSN
PCM-34R2GL-AE	2 ports Gigabit Ethernet, Intel® I350
PCM-34D2R4-AE	2 ports Isolated RS-422/485, DB9
PCM-34D2R2-AE	2 ports Isolated RS-232, DB9
PCM-34D4R4-AE	4 ports non-isolated RS-422/485, DB37 cable
PCM-34D4R2-AE	4 ports non-isolated RS-232, DB37 cable
PCM-37D24DI-AE	24 channels isolated digital I/O with counter, DB37
PCM-23C1CF-BE	1 slot CFast iDoor for CFast

I/O View



- A. Line out
- B. COM1: RS-232/422/485
- C. COM2: RS-232/422/485
- D. 2 x LAN
- E. DP
- F. 3 x USB 3.2
- G. 1 x USB 2.0
- H. DC-In
- I. Power Button
- J. Pre cut hole for power button cable extend

Vertrieb durch **AMC**

AMC – Analytik & Messtechnik GmbH Chemnitz

Heinrich-Lorenz-Str. 55 Tel.: +49/371/38388-0
 09120 Chemnitz Fax: +49/371/38388-99
 E-Mail: info@amc-systeme.de Web: www.amc-systeme.de