

# SPC-618WE

## 18.5" FHD TFT LED LCD Touch Panel Computer with Intel® Raptor Lake-U Platform with IECEx/ATEX and Class I Division II Explosion-Proof certification



### Introduction

Advantech's SPC-618WE Explosion-Protected Touch panel computer, is powered by Intel Raptor Lake-U Intel Core processors. With its fan-less design, SPC-618WE delivers high performance that not simply meets customer demands for a daily-operation control panel, but a genuine Industry 4.0-era-tailored Industrial PC that features bountiful I/Os including two USB 3.2 ports, one USB Type-C port, expansions with sTLC Solid State Drive and WiFi module that support for ultra speed data transmission. The system was both IP66 and IECEx/ATEX and Class I Division Explosion-Protected certified, therefore is suitable for hazardous environment.

### Specifications

#### General

- **BIOS** AMI UEFI
- **Certification** BSMI, CCC, CE, FCC Class A  
IECEx/ATEX Zone 2/22 explosion proof certification  
Class I Division II explosion proof certification
- **Cooling System** Fanless design
- **Dimensions (W x H x D)** 479.3 x 300.3 x 80 mm
- **Enclosure** Front bezel: Die cast aluminum alloy  
Back housing: Die cast aluminum alloy
- **Mounting** Panel Mount
- **OS Support** Windows 11 LTSC
- **Security** TPM 2.0 (built-in)
- **Power Consumption** Typ. 46W; Max. 82W
- **Power Input** 19 - 24 V<sub>DC</sub> ± 15%
- **Watchdog Timer** 15-255 sec (system)
- **Weight (Net)** 6KG

#### System Hardware

- **CPU** 13th Gen. Intel® Core™ i7-1365URE 1.7 GHz  
Deca-core processor
  - **Memory** Single DDR5 4800 SO-DIMM RAM 32GB
  - **LAN** 2 x 2.5 GbE with Intel® i226
  - **Storage** 1x M.2 2280  
sTLC Solid State Drive 256 GB (Baseline)  
sTLC Solid State Drive 512 GB (Option for custom model\*)  
1 x 2.5 SATA  
sTLC Solid State Drive 256 GB (Option for custom model\*)  
sTLC Solid State Drive 512 GB (Option for custom model\*)
- \*Detailed information listed in "Expansion Component for Custom Model"
- **I/O** 1 x Displayport 1.4a (Video output)  
1 x USB Type-C (USB 3.2 Gen.2, DP 1.4a, 5V w/ 3A max)  
2 x USB 3.2 (Gen.1)  
2 x USB 2.0  
2 x RS-232/422/485

### Features

- Industrial-grade 18.5" FHD TFT LCD with 50K lifetime and LED backlight
- 13th Gen. Intel® Core™ i7-1365URE deca-core processor
- Built in single DDR5 4800 RAM with 32GB capacity
- Built in sTLC SSD of 256GB with extreme longevity and reliability
- Compact, fanless embedded system with aluminum alloy front bezel and chassis grounding protection
- Specialized enhanced impact proof touchscreen with PCAP touch control and IP66-rated front panel
- Support TPM2.0 hardware security
- IECEx/ATEX explosion proof certification for Zone 2/22
- Class I Division II explosion proof certification

#### LCD Display

- **Display Type** FHD TFT LED LCD
- **Display Size** 18.5"
- **Max. Resolution** 1920 x 1080
- **Max Colour** 16.7M
- **Luminance cd/m<sup>2</sup>** 350 cd/m<sup>2</sup>
- **Viewing Angle (H/V°)** 178°/178°
- **Backlight Life** 50,000 hrs
- **Contrast Ratio** 1000:1

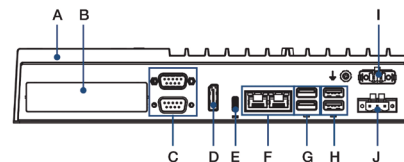
#### Touchscreen

- **Light Transmission** Above 85%
- **Resolution** Linearity
- **Type** PCAP touch screen

#### Environment

- **Humidity** 95% RH @ 40°C, non-condensing
- **Ingress Protection** IP65-rated front panel
- **Operating Temperature** -20-60 °C (-4-140 °F) (w/o air flow)
- **Storage Temperature** -30-70 °C (-22-158 °F)
- **Vibration Protection** With SSD: 1 Grms (5 ~ 500 Hz)  
(Operating, random vibration)

### Rear View



- A. Chassis
- B. iDoor Slot (Not Expandable)
- C. RS-232/422/485
- D. Display Port
- E. USB Type-C
- F. 2.5GbE LAN
- G. USB 3.2
- H. USB 2.0
- I. Remote Button
- J. Power DC IN

Vertrieb durch **AMC**  
**AMC – Analytik & Messtechnik GmbH Chemnitz**  
 Heinrich-Lorenz-Str. 55 Tel.: +49/371/38388-0  
 09120 Chemnitz Fax: +49/371/38388-99  
 E-Mail: info@amc-systeme.de Web: www.amc-systeme.de



ADVANTECH iAutomation  
Premier Partner

Vertrieb durch



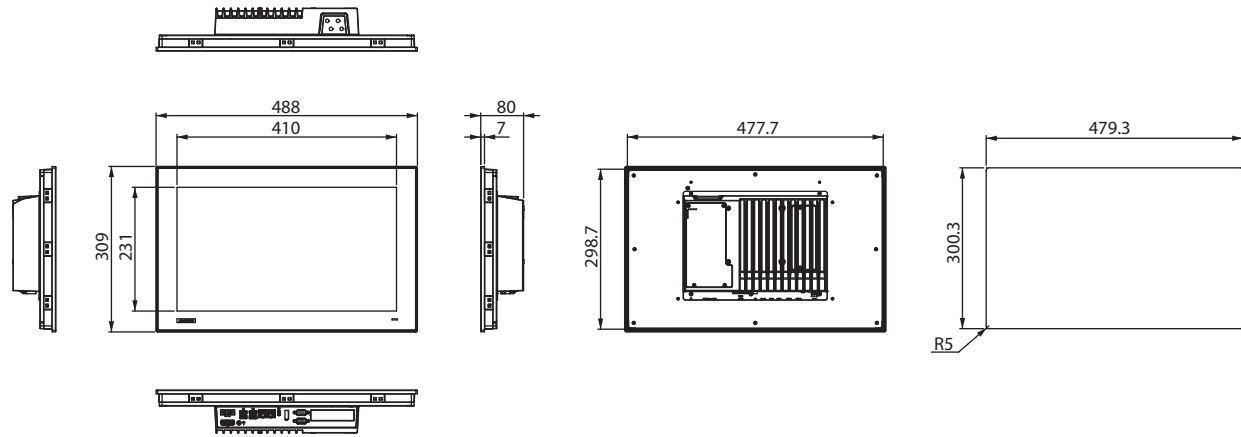
**AMC – Analytik & Messtechnik GmbH Chemnitz**

Heinrich-Lorenz-Str. 55 Tel.: +49/371/38388-0  
 09120 Chemnitz Fax: +49/371/38388-99  
 E-Mail: info@amc-systeme.de Web: www.amc-systeme.de

**SPC-618WE**

## Dimensions

Unit: mm



**Panel Cut-out Dimensions: 479.3 x 300.3mm (18.87 x 11.82 in)**

## Ordering Information

- **SPC-618WE-PUD75A** 18.5" FHD Panel PC, ATEX Explosion-Protected certification, 13th Gen. Intel® i7-1365URE 1.7 GHz Deca-core processor

## Optional Accessories

- **96PSA-A150W24T2-4** 150W 24V<sub>DC</sub> power supply
- **1702002600** Power cable (US) 1.8 M
- **1702002605** Power cable (EU) 1.8 M
- **1702031801** Power cable (UK) 1.8 M
- **1700000596-11** Power cable (China/Australia) 1.8 M

## Embedded OS

- **20701WLH1S0004** Win11 LTSC for SPC-618WE

## Explosion Proof Certification



II 3 G Ex ec IIC T4 Gc  
 II 3 D Ex tc IIIC T76°C Dc  
 UL 24 ATEX 3284X  
 IECEx UL 24.0074X  
 -20°C ≤ Ta ≤ +60°C



Class I, Division 2,  
 Group A, B, C and D  
 Temp. Code T4  
 Ambient -20°C to +60°C

## Expansion Component for Custom Model

Explosion Proof Certified Expansion Components		Description
M.2 2280 SSD (Baseline)	SQF-S8BZ4-256GDSDE	SQF M.2 2280 SSD 256GB 3D sTLC
Option1	SQF-S8BZ4-512GDSDE	SQF M.2 2280 SSD 512GB 3D sTLC
2.5" SATA SSD (Baseline)	None	None
Option1	SQF-S25Z4-256GDSDE	SQF 2.5" SATA SSD 256GB 3D sTLC
Option2	SQF-S25Z4-512GDSDE	SQF 2.5" SATA SSD 512GB 3D sTLC

## Packing List

Item	Part No.	Description	Qty
Grounding cable	1703011001-11	A Cable G-TEM 4.3 100CM C=GR/Y	1
Power Connector	1652007930-01	Plug-In Block 1x3P/5.08mm/PA66/F/VA	1
Warranty	2190000902	CARDBOARD-WARRANTY REV. A2	1
VESA Screw	1930005204	Screw M4x10L R/S DH=6.8x2.50 + ST ZBK PL	4
China RoHS	202KAKMCO0	China rohs for AKMC model name 1st ed	1

Please contact Advantech for certificate compliance.

Irrtum und Änderungen vorbehalten – auch ohne vorherige Ankündigung. Verwendete Hardware- und Softwarebezeichnungen, Marken sowie Firmennamen können eingetragene Warenzeichen sein und unterliegen somit den gesetzlichen Bestimmungen. / Information in this document is subject to change without prior notice. The software and hardware designations or brand names used in this text are in most cases trademarks or registered trademarks of their respective companies and are thus subject to law.