

# SPC-815 / SPC-821 V2

## All-Around IP Protection Standalone Panel Computer



### Features

- 15.6"/21.5" FHD TFT LED LCD display
- Intel® Core™ i3-1315URE / i5-1345URE Processor
- 16:9 widescreen with P-CAP multi-touch control
- Enhanced touch screen for impact resistance
- Silicone-free enclosure with all-round IP65-rated protection
- Supports CP 40 (Rittal) and CS-480 B.Flex (Bernstein) mount standards
- Supports the wide series of operational panel configuration
- Optional Front-facing USB port ensure easy accessibility

### Introduction

SPC-800 V2 are Pole-mountable Panel PCs that can be integrated with wide series of operational panel kit. Designed to support industrial mounting standards, such as CP 40 (Rittal) and CS-480 (Bernstein), SPC-800 V2 are series of versatile Panel PC that can be installed in a variety of environment. The SPC-800 V2 is powered by an Intel® Raptor Lake-U processor that delivers advanced graphical performance to facilitate the realization of field IoT applications. The Panel PC are also equipped with a silicone-free enclosure that features all-around IP65-rated protection from water and dust. Moreover, with the inclusion of an I/O cover, all cables can be hidden for a tidy appearance and simplified wiring installation.

### Specifications

#### General

- **Certification** BSMI, CE, FCC Class A, UL
- **Cooling System** Fanless design
- **Dimensions (W x H x D)** 15.6": 400.74 x 331.76 x 185mm  
21.5": 545.24 x 415.59 x 185mm
- **Enclosure** Front bezel: Die-cast aluminum alloy  
Rear housing: Die-cast aluminum alloy
- **Mount Options** Pole Mount (Rittal CP40 & Bernstein CS-480)  
VESA Mount (Optional through VESA Kit)
- **OS Support** Windows 11 LTSC
- **Power Consumption** Typical 80W
- **Power Input** 9-32 V<sub>DC</sub>
- **Weight (Net)** 15.6": 7KG  
21.5": 9KG

#### System

- **CPU** Intel® Raptor Lake-U Series Processor  
Intel® Core™ i3-1315URE  
Intel® Core™ i5-1345URE
- **Memory** 2 x SODIMM DDR5 Slot, Max 64GB  
Default 8GB DDR5 4800MHZ RAM
- **LAN** 2 x Intel I226LM controller 10M / 100M / 1000M / 2.5G
- **Expansion Slots** 1 x M.2 2230 E-Key slot
- **Storage** 1 x M.2 2242/2280 M-Key slot  
(SATA / NVME PCIe x 4)
- **I/O** 3 x USB3.2, 1 x USB2.0  
1 x Line-Out, 1 x Mic-In  
1 x HDMI 1.4  
1 x Display Port 1.4a
- **COM Port** 2 x RS-232  
1 x RS-422/485 w/ 1K V<sub>DC</sub> isolation

#### LCD Display

- **Display Type** Full HD TFT LED
- **Display Size** 15.6" / 21.5"
- **Max. Resolution** 15.6": 1920 x 1080  
21.5": 1920 x 1080
- **Max. Colors** 16.7 M
- **Luminance** 15.6": 400 nits  
21.5": 250 nits
- **Viewing Angle (H/V)** 15.6": 170°/130°  
21.5": 178°/178°
- **Backlight** 50,000 hr lifetime

#### Touchscreen

- **Light Transmission** ≥88%
- **Resolution** 4096 x 4096 dots
- **Type** Projected capacitive

#### Environment

- **Humidity** 95% RH @ 40 °C/104 °F, non-condensing
- **Ingress Protection** All-Around IP65
- **Operating Temperature** 0 ~ 55 °C (32 ~ 131 °F)
- **Storage Temperature** -20 ~ 60 °C (-4 ~ 140 °F)

Vertrieb durch



**AMC – Analytik & Messtechnik GmbH Chemnitz**

Heinrich-Lorenz-Str. 55 Tel.: +49/371/38388-0  
09120 Chemnitz Fax: +49/371/38388-99  
E-Mail: info@amc-systeme.de Web: www.amc-systeme.de

Vertrieb durch



**AMC – Analytik & Messtechnik GmbH Chemnitz**

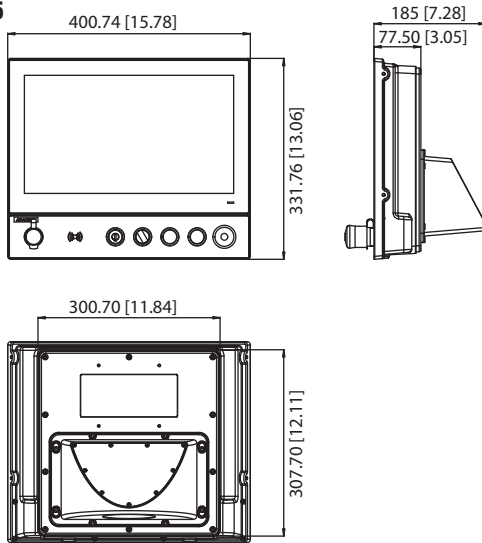
Heinrich-Lorenz-Str. 55 Tel.: +49/371/38388-0  
 09120 Chemnitz Fax: +49/371/38388-99  
 E-Mail: info@amc-systeme.de Web: www.amc-systeme.de

## SPC-815/SPC-821 V2

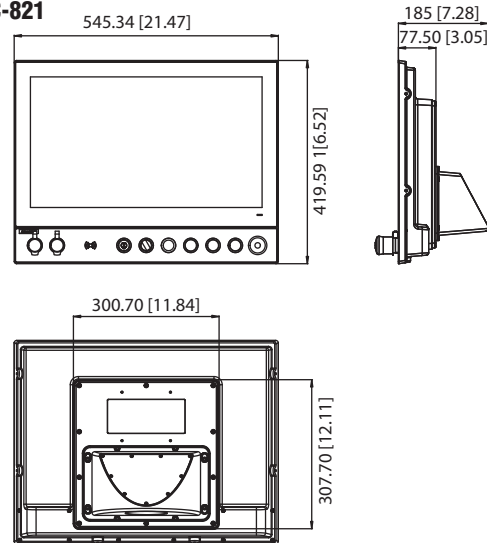
### Dimensions

Unit: mm [inch]

#### SPC-815



#### SPC-821



### Modular Ordering Information

Note: System Unit, Operational Panel Kit should be ordered together

#### System Unit

- **SPC-815-D33A** IP65 standalone panel PC  
15.6" FHD 1920 x 1080 P-CAP touch  
Intel i3-1315URE CPU,8 GB RAM
- **SPC-815-D53A** IP65 standalone panel PC  
15.6" FHD 1920 x 1080 P-CAP touch  
Intel i5-1345URE,8 GB RAM
- **SPC-821-D33A** IP65 standalone panel PC  
21.5" FHD 1920 x 1080 P-CAP touch  
Intel i3-1315URE CPU,8 GB RAM
- **SPC-821-D53A** IP65 standalone panel PC  
21.5" FHD 1920 x 1080 P-CAP touch  
Intel i5-1345URE,8 GB RAM

#### Operational Panel Kit

- **SPC-815-OPKA** 15.6" operational panel kit, 1 x Front Extended USB Port
- **SPC-815-OPKB** 15.6" operational panel kit, 1 x E-Stop, 1 x Red Push Button, 1 x Green Push Button, 1 x Blue Push Button, 1 x Key Selector, 1 x Front Extended USB Port
- **SPC-815-OPKC** 15.6" operational panel kit, 1 x E-Stop, 1 x Red Push Button, 1 x Green Push Button, 1 x Blue Push Button, 1 x Key Selector, 1 x Front Extended USB Port, 1 x RFID Antenna\*

- **SPC-821-OPKA** 21.5" operational panel kit, 1 x Front Extended USB Port
- **SPC-821-OPKB** 21.5" operational panel kit, 1 x E-Stop, 1 x Red Push Button, 1 x Green Push Button, 1 x Blue Push Button, 1 x Key Selector, 1 x Front Extended USB Port
- **SPC-821-OPKC** 21.5" operational panel kit, 1 x E-Stop, 1 x Red Push Button, 1 x Green Push Button, 1 x Blue Push Button, 1 x Key Selector, 1 x Front Extended USB Port, 1 x RFID Antenna\*

\*NRE for RF Certification may be required, please contact local sales for additional detail.

### Optional Accessories

- **1702002600** Power cable US plug 1.8 M
- **1702002605** Power cable EU plug 1.8 M
- **1702031801** Power cable UK plug 1.8 M
- **1700000596** Power cable China plug 1.8 M
- **1700036187-01** Certified Cat-6A S/FTP RJ45 Cable 300cm
- **1700036188-01** Certified Cat-6A S/FTP RJ45 Cable 1500cm
- **1700036189-01** Certified Cat-6A S/FTP RJ45 Cable 5000cm
- **1700036190-01** Certified Cat-6A S/FTP RJ45 Cable 7000cm
- **98R1800M010** VESA Kit for SPC-800 V2
- **96PSA-A120W24T2-4** 120W 24V<sub>DC</sub> power supply

### Embedded OS

- **20701WL1S0020** Win11 LTSC for SPC-8xx-DxxA
- **20701U24DS0004** Ubuntu for SPC-800 V2

### Packing List

Item	Part No.	Depiction	Qty
Plug-In Block	1652000099	PLUG-IN BLOCK 2P 90D(F) DIP MC101-50002Y DECA	1
	1652005828	TEP Screw 1x5/3.5/PA66/VA(F)/Sn/GR/H11.2/Screw	1
Grounding cable	1703011001-11	A Cable G-TEM 4.3 100CM C=GR/Y	1
Grounding screw	1935130610	Screw M3x6L R/S(TW) D=5.5 H=2 (2+) ST BiZn	1
Flange	9651800M000	Accessory Kit for SPC-800 (M) PIPE Mounting	1
Thermal Pad (RAM / M.2 M-Key)	1990026184N000	Thermal Pad 59X19.5X0.8 K=6 TP Apus-GR-Hm Snap	4
Thermal Pad (M.2 E-Key)	1990011911N000	20x20x1.0mm GR-Hm K=6 FOR SFPC84	1
Thermal Pad (Primary Heat Sink)	1990030086N000	Thermal pad 40x30x2.0mm GR-Hm K=6 TP Eapus	3
Thermal Grease (CPU)	1990036830N100	Thermal-Pad 30x15x0.25 K=8.5 TP TPM-7950	2