

TPC-312 TPC-315 TPC-317 TPC-324W

Touch Panel Computer with 8th Gen. Intel® Core™ i3/ i5/ i7 Processor, built-in 8G DDR4 RAM



Features

- 8th Gen. Intel® Core™ i3- 8145UE dual-core/ i5-8365UE quad-core/ i7-8665UE quad-core processor with built-in 8 GB DDR4 SO-DIMM
- Dual channel memory slots support up to 64G in total
- Compact, fanless embedded system with aluminum alloy front bezel and chassis grounding protection
- True-flat touchscreen with 5-wire resistive touch control and IP66-rated front panel
- Support expansion via Full-size Mini PCIe and two M.2 slots (NVMe, 5G)
- Diverse system I/O and isolated digital I/O via iDoor technology
- Support fieldbus protocols/GPS/GPRS/Wi-Fi capabilities via iDoor technology
- Support TPM2.0 hardware security

Vertrieb durch 
AMC – Analytik & Messtechnik GmbH Chemnitz
 Heinrich-Lorenz-Str. 55 Tel.: +49/371/38388-0
 09120 Chemnitz Fax: +49/371/38388-99
 E-Mail: info@amc-systeme.de Web: www.amc-systeme.de

Introduction

TPC-3xx touch panel computer is equipped with TFT LCD, low-power 8th Gen. Intel® Core™ i3- 8145UE dual-core/ i5-8365UE quad-core/ i7-8665UE quad-core processor, and built-in 8 GB DDR4 SO-DIMM delivering high performance yet compact and fanless computing system. To provide enhanced durability and satisfy diverse applications of industrial automation, TPC-3xx features IP66-rated front panel protecting against dust and water ingress, and two extra expansion M.2 M Key, B Key slots supporting NVMe, SATA or 5G application. With Advantech's iDoor technology integrated via mini PCIe slot for function expansions such as additional I/O ports, isolated digital I/O, fieldbus protocols, GPS/GPRS/ Wi-Fi communication and MRAM. The integrated DP and audio ports allow a secondary monitor and speakers to be attached for increased functionality.

Specifications

General

- BIOS** AMI UEFI
- Certification** BSMI, CCC, CE, FCC Class A, CB/UL
- Cooling System** Fanless design
- Dimensions (W x H x D)** 12.1": 311.8 x 238 x 67 mm (12.28 x 9.37 x 2.64 in)
15": 383.2 x 307.3 x 66.5 mm (15.09 x 12.10 x 2.62 in)
17": 410.4 x 343.4 x 68 mm (16.16 x 13.52 x 2.68 in)
23.8": 595.9 x 374.1 x 70 mm (23.46 x 14.73 x 2.76 in)
- Enclosure** Front bezel: Die cast aluminum alloy
Back housing: Die cast aluminum alloy
- Mounting** VESA Mount, Desktop, Wall or Panel Mount
- OS Support** Win 10, Android, Linux
- Security** TPM 2.0 (built-in)
- Power Consumption** 12.1": 41.06W (Typical)
15": 36.79W (Typical)
17": 45.48W (Typical)
23.8": 56.31W (Typical)
24 V_{DC} ± 20%
- Power Input**
- Watchdog Timer** 15-255 sec (system)
- Weight (Net)** 12.1": 4.1kg (9.04lbs)
15": 5.8kg (12.79lbs)
17": 6.1kg (13.45lbs)
23.8": 9.3kg (20.5lbs)

- Expansion Slot** 1 x Full-size mini PCIe(PCle/USB2.0)
1 x SIM (Optionai 4G/5G module)
- Storage Slot** 1 x M.2 M key 2280 (SATA or NVMe PCIe4)
1 x M.2 B Key 2242 (SATA)
3042, 3052 (PCle/USB3.0 for 4G/5G module)
1 x 2.5" SSD/ HDD (SATA, Max. 7mm)
- I/O** 2 x RS-232/422/485
1 x USB 2.0
4 x USB 3.2 (Gen 2)
1 x iDoor slot
1 x Displayport (Video output)
1 x Audio line out/ mic in

LCD Display

| | TPC-312 | TPC-315 | TPC-317 | TPC-324W |
|-----------------------------------|-----------------|-----------------|------------------|-----------------|
| Display Type | XGA TFT LED LCD | XGA TFT LED LCD | SXGA TFT LED LCD | FHD TFT LED LCD |
| Display Size | 12.1" (4:3) | 15" (4:3) | 17" (4:3) | 23.8" (16:9) |
| Max. Resoluotion | 1024 x 768 | 1024x768 | 1280 x 1024 | 1920 x 1080 |
| Max Colour | 16.2M | 16.2M | 16.7M | 16.7M |
| Luminance cd/m² | 300 | 300 | 300 | 350 |
| Viewing Angle (H/V)° | 178°/178° | 176°/176° | 160°/140° | 178°/178° |
| Backlight Life | 50,000 hrs | 70,000hrs | 50,000 hrs | 30,000hrs |
| Contrast Ratio | 1000:1 | 2000:1 | 800:1 | 1000:1 |

System Hardware

- CPU** Intel 8th Gen. Whiskey Lake
i3-8145UE 2.20 GHz Dual-core
i5-8365UE 1.60 GHz Quad-core
i7-8665UE 1.70 GHz Quad-core
- Memory** Dual channel DDR4 SO-DIMM (Each channel supports up to 32G)
1 x 8G DDR4 SO-DIMM (Built-in)
- LAN** 2 x 10/100/1000BASE-T (A ver.) or 2.5GbE (B ver.)

Touchscreen

- Lifespan** 36 million touches at a single point
- Light Transmission** Above 75%
- Resolution** Linearity
- Type** 5-wite resistive : TPC-312/TPC-315/TPC-317
PCAP: TPC-324W



All product specifications are subject to change without notice.

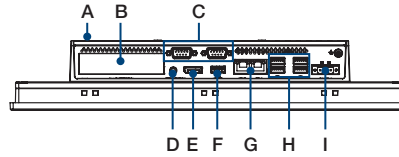


Last updated: 6-Feb-2024

Environment

- **Relative Humidity** Operating, 95% RH @ 40° C, Non-Condensing
 Non-Operating, 95% RH @ 60° C, Non-Condensing
- **Ingress Protection** IP66-rated front panel
- **Operating Temperature** -10-55°C (14-131°F) (w/o air flow)
- **Storage Temperature** -20-70°C (-4-158°F)
- **Vibration Protection** With SSD: 1 Grms (5 ~ 500 Hz)
 (Operating, random vibration)

Rear View

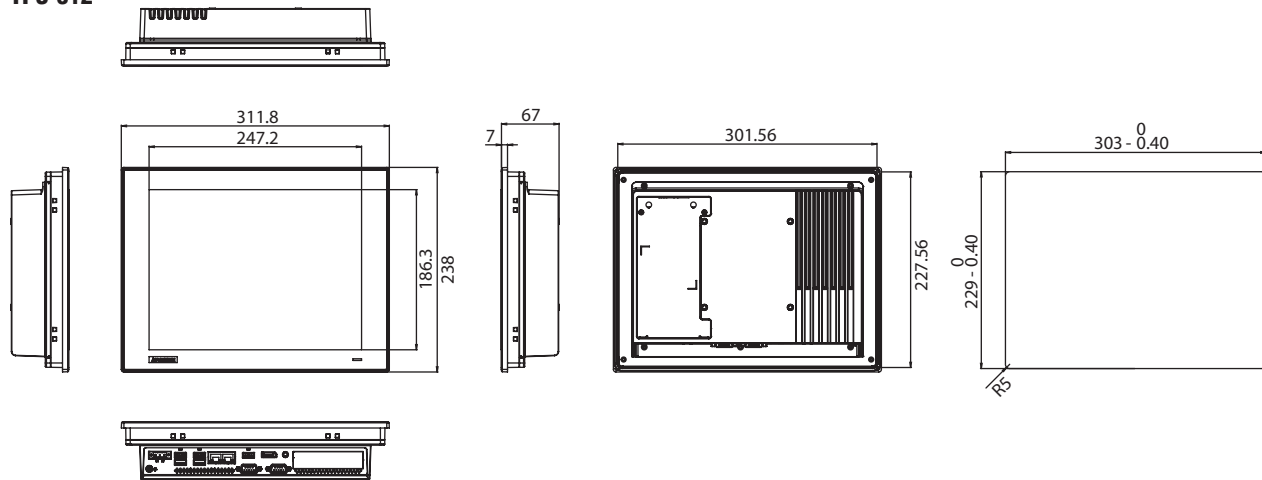


- A. Default HDD/SSD Bay
- B. iDoor slot
- C. RS-232/422/485
- D. Audio line out/ mic in
- E. Display Port
- F. USB 2.0
- G. LAN (Left: 1GbE, Right: 2.5GbE)
- H. USB 3.2 (Gen 2)
- I. Power Receptor

Dimensions

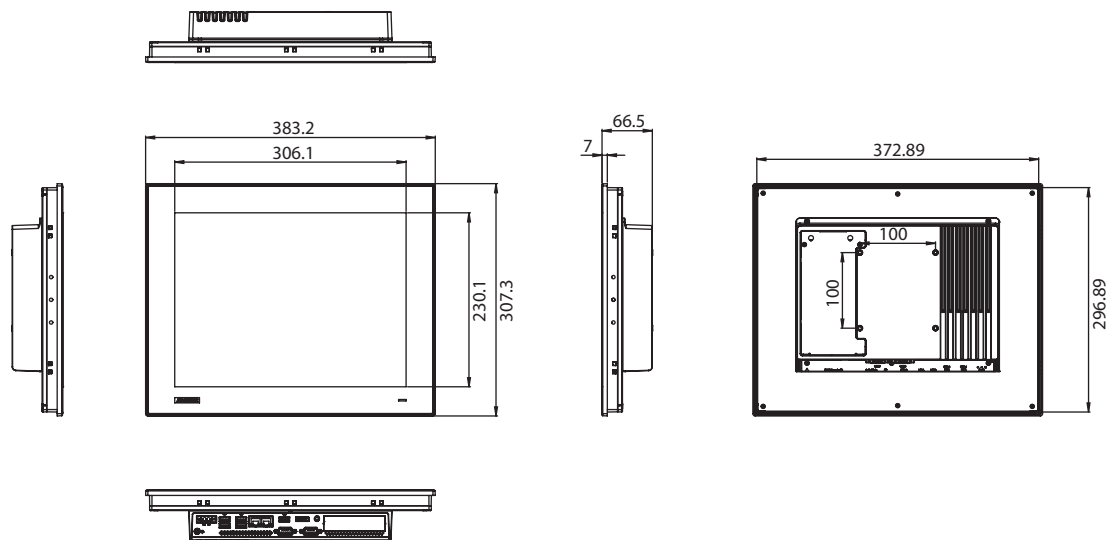
Unit: mm

TPC-312



TPC-312 Panel Cutout Dimensions: 303 x 229 mm (11.93 x 9.02 in)

TPC-315

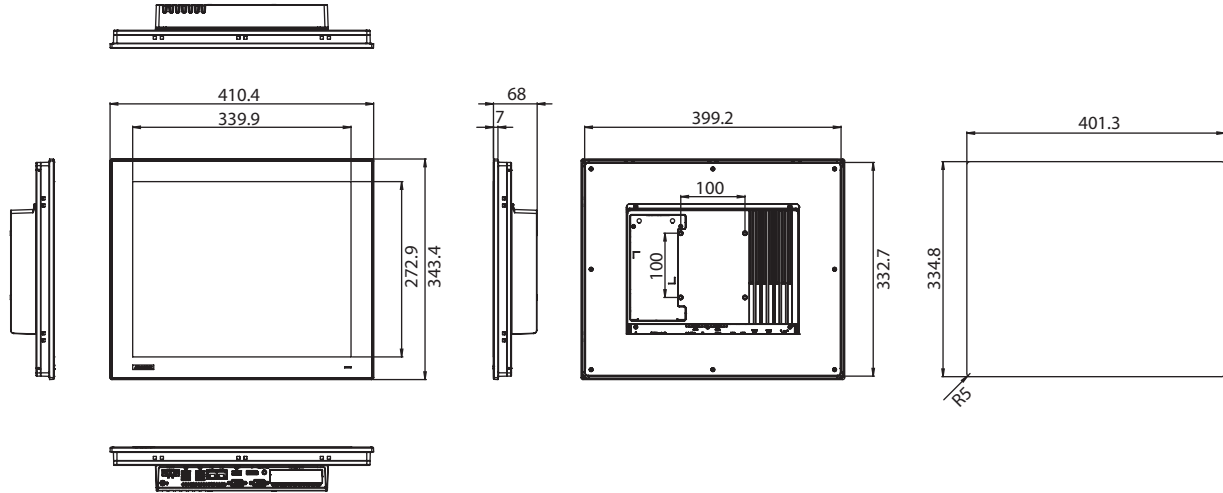


TPC-315 Panel Cutout Dimensions: 374.5 x 298.5 mm (14.74 x 11.75 in)

Dimensions

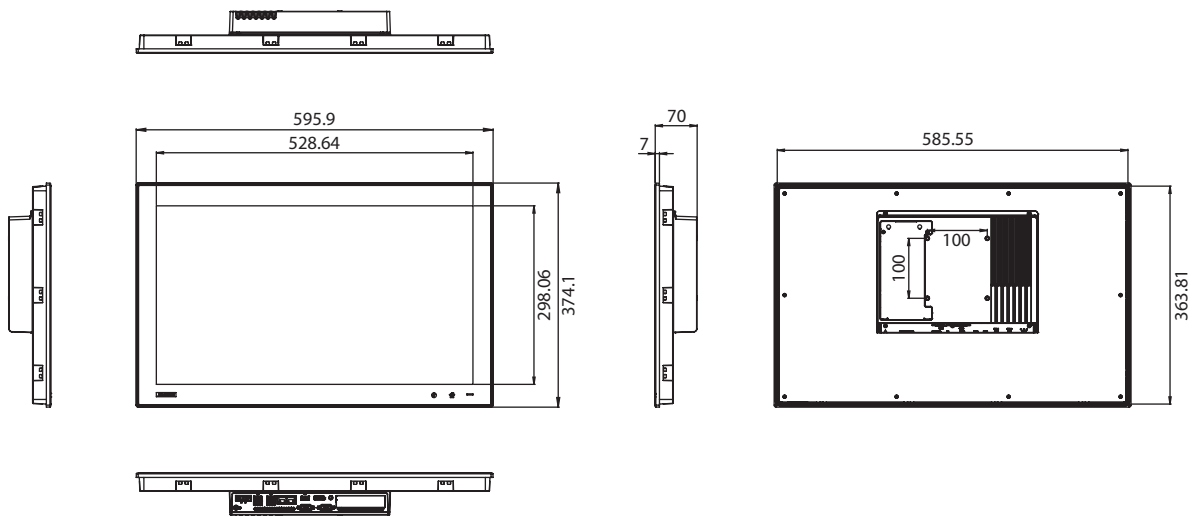
Unit: mm

TPC-317



TPC-317 Panel Cutout Dimensions: 401.3 x 334.8 mm (15.80 x 13.18 in)

TPC-324W



TPC-324W Panel Cutout Dimensions: 587 x 365.3 mm (23.11 x 14.38 in)

Ordering Information

- **TPC-312-R833B** 12.1" XGA Panel PC, Intel® Core™ i3-8145UE 2.20GHz Dual-core Processor, 8G DDR4 RAM
- **TPC-312-R853B** 12.1" XGA Panel PC, Intel® Core™ i5-8365UE 1.60GHz Quad-core Processor, 8G DDR4 RAM
- **TPC-312-R873B** 12.1" XGA Panel PC, Intel® Core™ i7-8665UE 1.70GHz Quad-core Processor, 8G DDR4 RAM
- **TPC-315-R833B** 15" XGA Panel PC, Intel® Core™ i3-8145UE 2.20GHz Dual-core Processor, 8G DDR4 RAM
- **TPC-315-R853B** 15" XGA Panel PC, Intel® Core™ i5-8365UE 1.60GHz Quad-core Processor, 8G DDR4 RAM
- **TPC-315-R873B** 15" XGA Panel PC, Intel® Core™ i7-8665UE 1.70 GHz Quad-core Processor, 8G DDR4 RAM
- **TPC-317-R833B** 17" SXGA Panel PC, Intel® Core™ i3-8145UE 2.20GHz Dual-core Processor, 8G DDR4 RAM
- **TPC-317-R853B** 17" SXGA Panel PC, Intel® Core™ i5-8365UE 1.60GHz Quad-core Processor, 8G DDR4 RAM
- **TPC-317-R873B** 17" SXGA Panel PC, Intel® Core™ i7-8665UE 1.70GHz Quad-core Processor, 8G DDR4 RAM
- **TPC-324W-P833B** 23.8" FHD Panel PC, Intel® Core™ i3-8145UE 2.20GHz Dual-core Processor, 8G DDR4 RAM
- **TPC-324W-P853B** 23.8" FHD Panel PC, Intel® Core™ i5-8365UE 1.60GHz Quad-core Processor, 8G DDR4 RAM
- **TPC-324W-P873B** 23.8" FHD Panel PC, Intel® Core™ i7-8665UE 1.70GHz Quad-core Processor, 8G DDR4 RAM

Optional Accessories

- **96PSA-A120W24T2-3** 120W 24V_{DC} power supply
- **1702002600** Power cable (US) 1.8 M
- **1702002605** Power cable (EU) 1.8 M
- **1702031801** Power cable (UK) 1.8 M
- **170000596-11** Power cable (China/Australia) 1.8 M

Embedded OS

- **20704WX1HS0006** Img WIN10 LTSC V6.08 B018 TPC-300 High
- **20704WX1VS0006** Img WIN10 LTSC V6.08 B018 TPC-300 Value
- **20703LEB1S0091** Image AdvLinuxTu V2.0.6 for UNO/TPC series
- **Coming Soon** Android

Note : Compatible with both A and B versions

Packing List

| Item | Part No. | Description | Qty |
|------------------|----------------|---|---|
| Grounding cable | 1703011001-11 | A Cable G-TEM 4.3 100CM C=GR/Y | 1pcs |
| Plug-In Block | 1652007930-01 | Plug-In Block 1x3P/5.08mm/PA66/F/VA | 1pcs |
| Manual | 2003031200 | User_Manual(SC) TPC-300_Seires_B510 1st | 1pcs |
| Warranty | 2190000902 | CARDBOARD-WARRANTY REV. A2 | 1pcs |
| VESA Screw | 1930005204 | Screw M4x10L R/S DH=6.8x2.50 + ST ZBK PL | 4pcs |
| HDD Screw | 1930001361 | Screw M3x4L S/S D=5 H=1.2 (2+) ST Ni NK | 4pcs |
| M.2 Screw | 1930008738 | Screw M3x3L F/S D=5 H=1.2+ ST Ni NK | 1pcs |
| DRAM Thermal Pad | 1990020119N001 | Thermal Pad 59x24.2x3.0mm XR-HL K=1.2 TP Sarcon | 1pcs |
| Clamp | 1962055040 | CLAMPER PPC-55 M1632611 A2 | 8pcs : TPC-312 10pcs : TPC-315 / TPC-317 12pcs : TPC-324W |
| Clamp Screw | 1935042520 | Screw M4x25L R/S D=8.3 H=2.5 (2+) ST BZn | 8pcs : TPC-312 10pcs : TPC-315 / TPC-317 12pcs : TPC-324W |
| China RoHS | 202KAKMC00 | China rohs for AKMC model name 1st ed | 1pcs |

Please note: If some optional modules are offered with the system, additional system certificates may be required in certain regions/countries. Please contact Advantech for certificate compliance.

Irrtum und Änderungen vorbehalten – auch ohne vorherige Ankündigung. Verwendete Hardware- und Softwarebezeichnungen, Marken sowie Firmennamen können eingetragene Warenzeichen sein und unterliegen somit den gesetzlichen Bestimmungen. / Information in this document is subject to change without prior notice. The software and hardware designations or brand names used in this text are in most cases trademarks or registered trademarks of their respective companies and are thus subject to law.

iDoor Modules

- **PCM-24D2R2-BE** Isolated RS-232, DB9 x 2, (USB type)
- **PCM-24D2R4-BE** Isolated RS-422/485, DB9 x 2, (USB type)
- **PCM-24D4R2-BE** Non-Isolated RS-232, DB37 x 1 (USB Type)
- **PCM-24D4R4-BE** Non-Isolated RS-422/485, DB37 x 1 (USB Type)
- **PCM-27D24DI-AE** Digital I/O, 16 DI / 8 DO, Isolation, DB37 x 1
- **PCM-24R2GL-AE** 2 Port Giga LAN Intel i350 PCIe mini card
- **PCM-24R2PE-AE** Intel i350, GbE, PoE IEEE 802.3af, PD, RJ45 x 2
- **PCM-24U2U3-BE** PCM-24U2U3, 2-Port USB 3.0, mPCIe
- **PCM-24S2WF-CE** 802.11 a/b/g/n/ac 2T2R w/BT4.1, Intel AC9260
- **PCM-23C1CF-CE** 1 slot CFast iDoor for CFast with PWR cable
- **PCM-23U1DG-CE** Internal locked USB Slot for USB Dongle, mPCIe
- **PCM-26D2CA-BE** SJA1000 CANBus, Lattice, CANOpen, DB9 x 2
- **PCM-26D2CA-CE** USB CANBus, CANOpen, DB9 x 2

Application Software

| | |
|------------------------|--|
| WebAccess/SCADA | Advantech WebAccess/SCADA is a 100% browser-based IIoT software platform aimed at supervisory control and data acquisition (SCADA) operations. WebAccess/SCADA provides open interfaces that allow our customers and partners to develop unique IoT applications for different vertical markets. In addition to supporting traditional SCADA functions, the platform features an HTML5-based user interface and intelligent dashboard to facilitate cross-platform, cross-browser data analysis. Moreover, WebAccess/SCADA not only offers built-in widgets, but is also equipped with an innovative Widget Builder that enables customers to build their own widgets. |
| WebAccess/HMI | Advantech WebAccess/HMI is human-machine interface (HMI) software based on Microsoft's Windows operating system. This software features excellent communication and monitoring capabilities, supports more than 350 PLC communication protocols, and offers a wide choice of screen design objects to satisfy diverse integrations of factory automation and HMI operation and monitoring requirements. |