

WISE-2211

Proprietary LPWAN (Sub-G) Wireless Self-powered Analog Input Module

NEW



Features

- Proprietary LPWAN (Sub-G) Wireless technology
- Self-powered design, no power wired installation needed.
- High efficiency power charger design via DC input from sensors (DC, 4~20mA)
- Power measured in seconds
- Less interference with high penetration rate
- Plug and play

Vertrieb durch



AMC – Analytik & Messtechnik GmbH Chemnitz

Heinrich-Lorenz-Str. 55 Tel.: +49/371/38388-0
09120 Chemnitz Fax: +49/371/38388-99
E-Mail: info@amc-systeme.de Web: www.amc-systeme.de

Introduction

Self-powered with LPWAN technology are ideal for sustainable factory, building applications. Powered by maximum 3 DC output sensors, no cables or batteries are required for switching or for collecting sensor information such as temperature and pressure. Self-powered LPWAN networks save resources by using fewer cables and eliminating the need for batteries.

Less interference with high penetration rate

LPWAN, created for machine-to-machine (M2M) and Internet of things (IoT) networks, is not a single technology, but a variety of low-power, wide area network technologies. Compare with traditional mobile network, LPWAN is known as lower cost with higher power efficiency. WISE-2211 is the proprietary LPWAN which provides better connection compare with traditional wireless technology.

Fast build-in your IoT applications

With Self-powered design, no wire power installation is needed. WISE-2211 is designing for fast build-in your IoT applications. WISE-2211 can fast connect your sensors, which has DC output, without installation another power source.

High efficiency power charger design

With Advantech's strong design capacity, WISE-2211 allows to transmit the power current measurement data in seconds.

Common Specification

Wireless Communication

- **Frequency Band** NA: 923MHz (920.80~924.40)
EU: 868MHz (865.20~868.80)
- **Transmit Power** Up to +12dBm
- **Data Rate** 625bps / 2.5k bps / 5K bps / 50K bps
- **Topology** Star

General

- **Channel** 3 (for sensor, 4-20mA, DC)
- **Input Range** 4~20mA, Direct current
- **Resolution** 11 bits
- **Accuracy** ± 0.2 % of FSR
- **Drift** 40ppm
- **Power Input** Power source is from AI Channel
- **Configuration Interface** Micro-B USB
- **Mounting** DIN 35 rail, wall, pole
- **Dimension (W x H x D)** 71 x 52 x 30 mm (without Antenna)
- **Certification** CE (RED), FCC, TELEC, NCC

Environment

- **Operating Temperature** -25~70 °C
- **Operating Humidity** 5~95% RH
- **Storage Temperature** -40~85 °C
- **Storage Humidity** 0~95% RH

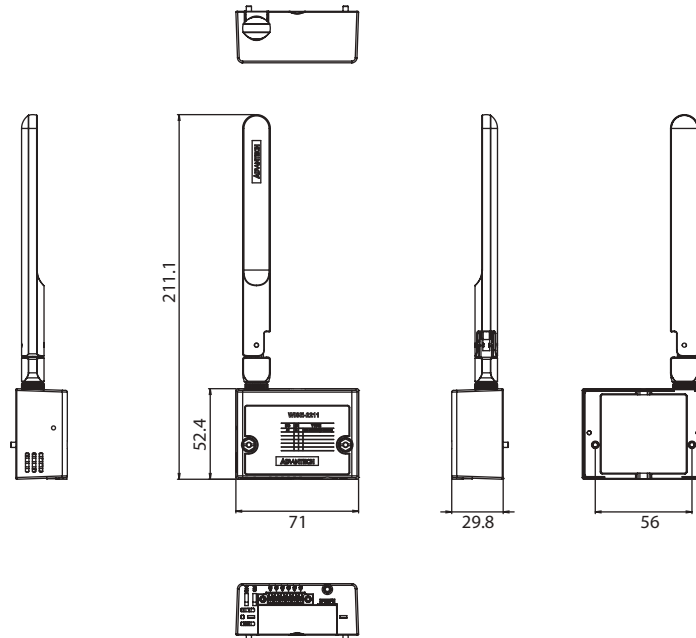


ADVANTECH Automation

Premier Partner

Dimensions

Unit: mm



WISE-4210-AP

Wireless Communication

- **Frequency Band** NA: 923MHz (920.80~924.40)
EU: 868MHz (865.20~868.80)
- **Transmit Power** Up to +14dBm
- **Receiver Sensitivity** -115dBm using Long-Range Mode
-100dBm at 50kbps
- **Data Rate** 625bps / 2.5k bps / 5K bps / 50K bps
- **Topology** Star
- **Network Capacity** 64 clients

General

- **Ethernet** RJ-45 (for configuration and data query)
- **RS-485** Data+, Data- (for query node data)
- **Messaging Protocol** Modbus/TCP, Modbus/RTU, REST, MQTT
- **Application Protocol** HTTP, HTTPS, SNMP, DHCP
- **Transport Protocol** TCP, UDP
- **Supports RESTful Web API in JSON format**
- **Supports Web Server in HTML5**

Ordering Information

Wireless Self-powered Sensor

- **WISE-2211-NA** LPWAN Wireless Self-powered Analog Input Module - EU/NA

Wireless Access Point

- **WISE-4210-APNA*** LPWAN Wireless to Ethernet AP – EU/NA

Accessories

- **1750008837-01** 902-928MHz Dipole Antenna for WISE-4210/
WISE-2210/WISE-2211
- **1750008836-01** 863-870MHz Dipole Antenna for WISE-4210/
WISE-2210/WISE-2211

Vertrieb durch


AMC – Analytik & Messtechnik GmbH Chemnitz

 Heinrich-Lorenz-Str. 55
09120 Chemnitz

 Tel.: +49/371/38388-0
Fax: +49/371/38388-99

E-Mail: info@amc-systeme.de Web: www.amc-systeme.de