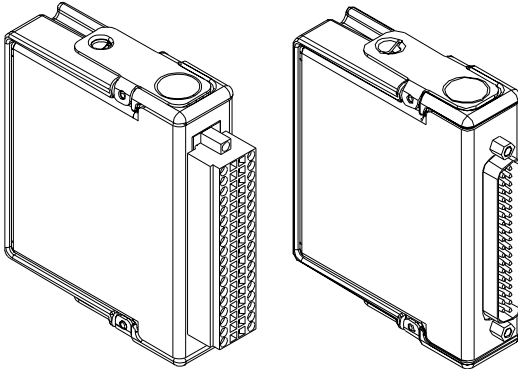


DATASHEET



NI 9264

16 AO, ± 10 V, 16 Bit, 25 kS/s/ch Simultaneous



- DSUB or spring-terminal connectivity
- 250 Vrms, CAT II, channel-to-earth isolation (spring terminal); 60 VDC, CAT I, channel-to-earth isolation (DSUB)

The NI 9264 is a C Series module for NI CompactDAQ and CompactRIO systems that accommodates higher-channel-count systems in either chassis type. Higher-density modules conserve chassis space and leave room for other measurement types. Each channel can update at up to 25 kS/s because each channel has its own digital-to-analog converter. The spring-terminal version of the NI 9264 uses a 36-position connector for the 16 channels of output, each of which has a ground connection. The DSUB version of the NI 9264 module was designed to accommodate standard 37-pin DSUB components.

 <p>Kit Contents</p>	<ul style="list-style-type: none">• NI 9264• NI 9264 Getting Started Guide• Flathead Screwdriver (Spring Terminal)
 <p>Accessories</p>	<ul style="list-style-type: none">• NI 9940 Backshell Connector Kit (Spring Terminal)• NI 9923 Screw-Terminal Block (DSUB)

Vertrieb durch



AMC – Analytik & Messtechnik GmbH Chemnitz

Heinrich-Lorenz-Str. 55
09120 Chemnitz

Tel.: +49/371/38388-0
Fax: +49/371/38388-99

E-Mail: info@amc-systeme.de Web: www.amc-systeme.de



Silver
Alliance
Partner



C SERIES ANALOG OUTPUT MODULE COMPARISON							
Product Name	Module Type	Signal Ranges	Channels	Sample Rate	Simultaneous	Resolution	Connectivity
NI 9260	Voltage Output	3 Vrms	2	51.2 kS/s/ch	Yes	24-Bit	BNC, mini XLR
NI 9263	Voltage Output	±10 V	4	100 kS/s/ch	Yes	16-Bit	Screw-Terminal, Spring-Terminal
NI 9264	Voltage Output	±10 V	16	25 kS/s/ch	Yes	16-Bit	Spring-Terminal, 37-Pin DSUB
NI 9265	Current Output	0 mA to 20 mA	4	100 kS/s/ch	Yes	16-Bit	Screw-Terminal
NI 9269	Voltage Output	±10 V	4	100 kS/s/ch	Yes	16-Bit	Screw-Terminal

NI C Series Overview



NI provides more than 100 C Series modules for measurement, control, and communication applications. C Series modules can connect to any sensor or bus and allow for high-accuracy measurements that meet the demands of advanced data acquisition and control applications.

- Measurement-specific signal conditioning that connects to an array of sensors and signals
- Isolation options such as bank-to-bank, channel-to-channel, and channel-to-earth ground
- -40 °C to 70 °C temperature range to meet a variety of application and environmental needs
- Hot-swappable

The majority of C Series modules are supported in both CompactRIO and CompactDAQ platforms and you can move modules from one platform to the other with no modification.

CompactRIO



CompactRIO combines an open-embedded architecture with small size, extreme ruggedness, and C Series modules in a platform powered by the NI LabVIEW reconfigurable I/O (RIO) architecture. Each system contains an FPGA for custom timing, triggering, and processing with a wide array of available modular I/O to meet any embedded application requirement.

CompactDAQ

CompactDAQ is a portable, rugged data acquisition platform that integrates connectivity, data acquisition, and signal conditioning into modular I/O for directly interfacing to any sensor or signal. Using CompactDAQ with LabVIEW, you can easily customize how you acquire, analyze, visualize, and manage your measurement data.



Software

LabVIEW Professional Development System for Windows



- Use advanced software tools for large project development
- Generate code automatically using DAQ Assistant and Instrument I/O Assistant
- Use advanced measurement analysis and digital signal processing
- Take advantage of open connectivity with DLLs, ActiveX, and .NET objects
- Build DLLs, executables, and MSI installers

NI LabVIEW FPGA Module



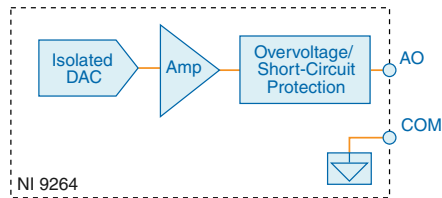
- Design FPGA applications for NI RIO hardware
- Program with the same graphical environment used for desktop and real-time applications
- Execute control algorithms with loop rates up to 300 MHz
- Implement custom timing and triggering logic, digital protocols, and DSP algorithms
- Incorporate existing HDL code and third-party IP including Xilinx IP generator functions
- Purchase as part of the LabVIEW Embedded Control and Monitoring Suite

NI LabVIEW Real-Time Module



- Design deterministic real-time applications with LabVIEW graphical programming
- Download to dedicated NI or third-party hardware for reliable execution and a wide selection of I/O
- Take advantage of built-in PID control, signal processing, and analysis functions
- Automatically take advantage of multicore CPUs or set processor affinity manually
- Take advantage of real-time OS, development and debugging support, and board support
- Purchase individually or as part of a LabVIEW suite

Circuitry



Each channel has a digital-to-analog converter (DAC) that produces a voltage signal. Each channel also has overvoltage and short-circuit protection.

NI 9264 Specifications

The following specifications are typical for the range -40°C to 70°C unless otherwise noted. All voltages are relative to COM unless otherwise noted.



Caution Do not operate the NI 9264 in a manner not specified in this document. Product misuse can result in a hazard. You can compromise the safety protection built into the product if the product is damaged in any way. If the product is damaged, return it to NI for repair.

Output Characteristics

Number of channels	16 analog output channels
DAC resolution	16 bits
Type of DAC	String
Power-on output state	Channels off

Startup voltage ¹	0 V
Power-down voltage ²	0 V
Output range	
Nominal	±10 V
Minimum	±10.35 V
Typical	±10.5 V
Maximum	±10.65 V
Current drive	±16 mA all channels maximum; ±4 mA per channel typical
Output impedance	2.0 Ω

Table 1. Accuracy

	Measurement Conditions	Percent of Reading (Gain Error)	Percent of Range ³ (Offset Error)
Calibrated	Maximum (-40 °C to 70 °C)	0.15%	0.15%
	Typical (25 °C)	0.05%	0.05%
Uncalibrated ⁴	Maximum (-40 °C to 70 °C)	0.6%	1.0%
	Typical (25 °C)	0.2%	0.25%

Stability

Gain drift	6 ppm/°C
Offset drift	80 μV/°C

Protection

Overvoltage	±27 V at 25 °C
Short-circuit	Indefinitely

¹ When the module powers on, a glitch occurs for 20 μs peaking at 500 mV.

² The power-down voltage peaks at 1.7 V, then exponentially discharges to 0 V in 200 ms. You can add a load to reduce peak voltage.

³ Range equals 10.5 V

⁴ Uncalibrated accuracy refers to the accuracy achieved when acquiring in raw or unscaled modes where the calibration constants stored in the module are not applied to the data.

Table 2. Update Time

Number of Channels	Update Time for NI cRIO-9151 R Series Expansion Chassis	Update Time for All Other Chassis
1	3.7 μ s minimum	3.1 μ s minimum
2	6.6 μ s minimum	5.3 μ s minimum
3	9.4 μ s minimum	7.5 μ s minimum
16	47 μ s minimum	37 μ s minimum

Noise ⁵	500 μ Vrms
Slew rate	4 V/ μ s
Crosstalk at 1 kHz sine wave	85 dB
Settling time (100 pF load, to 1 LSB)	
20 V step	20 μ s
1 V step	15 μ s
0.1 V step	13 μ s
Capacity drive	1,500 pF maximum
Monotonicity	16 bits
DNL	\pm 1 LSB maximum
INL (endpoint)	\pm 12 LSBs maximum
MTBF	595,509 hours at 25 °C; Bellcore Issue 2, Method 1, Case 3, Limited Part Stress Method

Power Requirements

Power consumption from chassis

Active mode	1 W maximum
Sleep mode	25 μ W maximum
Thermal dissipation (at 70 °C)	
Active mode	1 W maximum
Sleep mode	25 μ W maximum

⁵ The noise specification includes the glitch energy.

Physical Characteristics

If you need to clean the module, wipe it with a dry towel.



Tip For two-dimensional drawings and three-dimensional models of the C Series module and connectors, visit ni.com/dimensions and search by module number.

Spring-terminal wiring

Gauge	0.08 mm ² to 1.0 mm ² (28 AWG to 18 AWG) copper conductor wire
Wire strip length	7 mm (0.28 in.) of insulation stripped from the end
Temperature rating	90 °C minimum
Wires per spring terminal	One wire per spring terminal

Connector securement

Securement type	Screw flanges provided
Torque for screw flanges	0.2 N · m (1.80 lb · in.)

Weight

NI 9264 with spring terminal	156 g (5.5 oz)
NI 9264 with DSUB	146 g (5.2 oz)

NI 9264 with Spring Terminal Safety Voltages

Isolation

Channel-to-channel	None
Channel-to-earth ground	
Continuous	250 Vrms, Measurement Category II
Withstand	2,300 Vrms, verified by a 5 s dielectric withstand test

Measurement Category II is for measurements performed on circuits directly connected to the electrical distribution system. This category refers to local-level electrical distribution, such as that provided by a standard wall outlet, for example, 115 V for U.S. or 230 V for Europe.



Caution Do not connect the NI 9264 to signals or use for measurements within Measurement Categories III or IV.

NI 9264 with DSUB Safety Voltages

Isolation

Channel-to-channel	None
--------------------	------

Channel-to-earth ground

Continuous	60 VDC, Measurement Category I
Withstand	1,000 Vrms, verified by a 5 s dielectric withstand test

Measurement Category I is for measurements performed on circuits not directly connected to the electrical distribution system referred to as *MAINS* voltage. MAINS is a hazardous live electrical supply system that powers equipment. This category is for measurements of voltages from specially protected secondary circuits. Such voltage measurements include signal levels, special equipment, limited-energy parts of equipment, circuits powered by regulated low-voltage sources, and electronics.



Caution Do not connect the NI 9264 to signals or use for measurements within Measurement Categories II, III, or IV.



Note Measurement Categories CAT I and CAT O are equivalent. These test and measurement circuits are not intended for direct connection to the MAINS building installations of Measurement Categories CAT II, CAT III, or CAT IV.

Hazardous Locations

U.S. (UL)	Class I, Division 2, Groups A, B, C, D, T4; Class I, Zone 2, AEx nA IIC T4
Canada (C-UL)	Class I, Division 2, Groups A, B, C, D, T4; Class I, Zone 2, Ex nA IIC T4
Europe (ATEX) and International (IECEX)	Ex nA IIC T4 Gc

Safety and Hazardous Locations Standards

This product is designed to meet the requirements of the following electrical equipment safety standards for measurement, control, and laboratory use:

- IEC 61010-1, EN 61010-1
- UL 61010-1, CSA 61010-1
- EN 60079-0:2012, EN 60079-15:2010
- IEC 60079-0: Ed 6, IEC 60079-15; Ed 4
- UL 60079-0; Ed 5, UL 60079-15; Ed 3
- CSA 60079-0:2011, CSA 60079-15:2012



Note For UL and other safety certifications, refer to the product label or the [Online Product Certification](#) section.

Electromagnetic Compatibility

This product meets the requirements of the following EMC standards for sensitive electrical equipment for measurement, control, and laboratory use:

- EN 61326 (IEC 61326): Class A emissions; Industrial immunity
- EN 55011 (CISPR 11): Group 1, Class A emissions
- AS/NZS CISPR 11: Group 1, Class A emissions
- FCC 47 CFR Part 15B: Class A emissions
- ICES-001: Class A emissions



Note For the standards applied to assess the EMC of this product, refer to the [Online Product Certification](#) section.

CE Compliance

This product meets the essential requirements of applicable European Directives, as follows:

- 2014/35/EU; Low-Voltage Directive (safety)
- 2014/30/EU; Electromagnetic Compatibility Directive (EMC)
- 94/9/EC; Potentially Explosive Atmospheres (ATEX)

Online Product Certification

Refer to the product Declaration of Conformity (DoC) for additional regulatory compliance information. To obtain product certifications and the DoC for this product, visit ni.com/certification, search by model number or product line, and click the appropriate link in the Certification column.

Shock and Vibration

To meet these specifications, you must panel mount the system.

Operating vibration

Random (IEC 60068-2-64)

5 g_{rms}, 10 Hz to 500 Hz

Sinusoidal (IEC 60068-2-6)

5 g, 10 Hz to 500 Hz

Operating shock (IEC 60068-2-27)

30 g, 11 ms half sine; 50 g, 3 ms half sine;
18 shocks at 6 orientations

Environmental

Refer to the manual for the chassis you are using for more information about meeting these specifications.

Operating temperature (IEC 60068-2-1, IEC 60068-2-2)	-40 °C to 70 °C
Storage temperature (IEC 60068-2-1, IEC 60068-2-2)	-40 °C to 85 °C
Ingress protection	IP40
Operating humidity (IEC 60068-2-78)	10% RH to 90% RH, noncondensing
Storage humidity (IEC 60068-2-78)	5% RH to 95% RH, noncondensing
Pollution Degree	2
Maximum altitude	2,000 m

Indoor use only.

Environmental Management

NI is committed to designing and manufacturing products in an environmentally responsible manner. NI recognizes that eliminating certain hazardous substances from our products is beneficial to the environment and to NI customers.

For additional environmental information, refer to the *Minimize Our Environmental Impact* web page at ni.com/environment. This page contains the environmental regulations and directives with which NI complies, as well as other environmental information not included in this document.

Waste Electrical and Electronic Equipment (WEEE)



EU Customers At the end of the product life cycle, all NI products must be disposed of according to local laws and regulations. For more information about how to recycle NI products in your region, visit ni.com/environment/weee.

电子信息产品污染控制管理办法（中国 RoHS）



中国客户 National Instruments 符合中国电子信息产品中限制使用某些有害物质指令 (RoHS)。关于 National Instruments 中国 RoHS 合规性信息, 请登录 ni.com/environment/rohs_china。(For information about China RoHS compliance, go to ni.com/environment/rohs_china.)

Calibration

You can obtain the calibration certificate and information about calibration services for the NI 9264 at ni.com/calibration.

Calibration interval	1 year
----------------------	--------

Vertrieb durch



AMC – Analytik & Messtechnik GmbH Chemnitz

Heinrich-Lorenz-Str. 55 Tel.: +49/371/38388-0
09120 Chemnitz Fax: +49/371/38388-99
E-Mail: info@amc-systeme.de Web: www.amc-systeme.de



Irtum und Änderungen vorbehalten – auch ohne vorherige Ankündigung. Verwendete Hardware- und Softwarebezeichnungen, Marken sowie Firmennamen können eingetragene Warenzeichen sein und unterliegen somit den gesetzlichen Bestimmungen. / Information in this document is subject to change without prior notice. The software and hardware designations or brand names used in this text are in most cases trademarks or registered trademarks of their respective companies and are thus subject to law.

Refer to the *NI Trademarks and Logo Guidelines* at ni.com/trademarks for information on NI trademarks. Other product and company names mentioned herein are trademarks or trade names of their respective companies. For patents covering NI products/technology, refer to the appropriate location: **Help»Patents** in your software, the `patents.txt` file on your media, or the *National Instruments Patent Notice* at ni.com/patents. You can find information about end-user license agreements (EULAs) and third-party legal notices in the readme file for your NI product. Refer to the *Export Compliance Information* at ni.com/legal/export-compliance for the NI global trade compliance policy and how to obtain relevant HTS codes, ECCNs, and other import/export data. NI MAKES NO EXPRESS OR IMPLIED WARRANTIES AS TO THE ACCURACY OF THE INFORMATION CONTAINED HEREIN AND SHALL NOT BE LIABLE FOR ANY ERRORS. U.S. Government Customers: The data contained in this manual was developed at private expense and is subject to the applicable limited rights and restricted data rights as set forth in FAR 52.227-14, DFAR 252.227-7014, and DFAR 252.227-7015.

© 2016 National Instruments. All rights reserved.

374404A-02 Mar16